

Solenoid valve

EMVP 25 24V-DC 3/2 NO/NC

<https://www.schmalz.com/10.05.02.00151>



Part no.: 10.05.02.00151

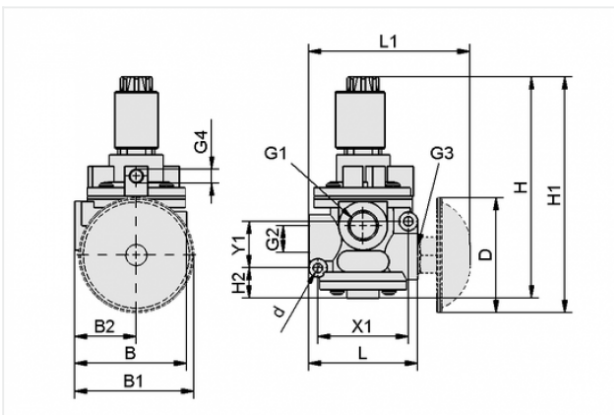
Homepage > Vacuum Technology for Automation > Vacuum Components > Valve Technology > Solenoid Valves > Solenoid Valves EMVP > EMVP 25 24V-DC 3/2 NO/NC

Solenoid valve EMVP for vacuum, pneumatic pilot control



Nominal size: 25 mm
 Voltage: 24V - DC
 Function: 3/2-way valve
 Control: Optionally NO/NC
 Connecting thread: G1-F

Design Data



Attribute	Value
B	94 mm
B1	87 mm
B2	47 mm
d	8 mm
D	80 mm
G1	G1"-F
G2	G1"-F
G3	G1"-F
G4	G1/8"-F
H	189.5 mm
H1	195.5 mm
H2	22 mm
L	94 mm

Contact to Schmalz

J. Schmalz GmbH | Johannes-Schmalz-Straße, 72293 Glatten, Deutschland | +49 7443 2403-102 | customercenter@schmalz.de

Attribute	Value
L1	132 mm
X1	76 mm
Y1	37 mm

Technical Data

Attribute	Value
Nominal size	25 mm
Control	Optionally NO/NC
Nominal flow rate	1500 l/min
Nominal flow rate	90 m ³ /h
Power consumption (DC)	5 W
Voltage	24V - DC
Closing time	80 ms
Weight	0.52 kg

Accessories



FAS 80x38 G1-AG EMVP

Part no. 10.05.01.00063

Filter with mounting kit

External diameter D: 80 mm

Length L: 38 mm

Thread G1: G1-M

for: Solenoid valve

Contact to Schmalz



STEC 4 S-M12-4 St

Part no. 10.05.02.00157

Plug

Number of pole: 4

Interface Connection 1:

Male connect M12, 4 pol

Mounting: push-in