

Solenoid valve

EMVP 25 230V-AC 3/2 NO/NC

<https://www.schmalz.com/10.05.02.00150>



Part no.: 10.05.02.00150

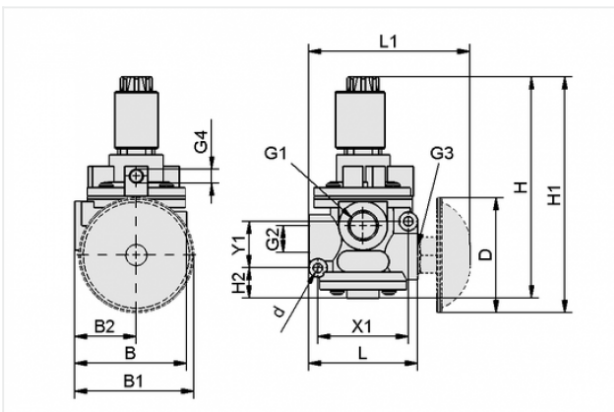
Homepage > Vacuum Technology for Automation > Vacuum Components > Valve Technology > Solenoid Valves > Solenoid Valves EMVP > EMVP 25 230V-AC 3/2 NO/NC

Solenoid valve EMVP for vacuum, pneumatic pilot control



Nominal size: 25 mm
Voltage: 230V - AC
Function: 3/2-way valve
Control: Optionally NO/NC
Connecting thread: G1-F

Design Data



Attribute	Value
B	94 mm
B1	87 mm
B2	47 mm
d	8 mm
D	80 mm
G1	G1"-F
G2	G1"-F
G3	G1"-F
G4	G1/8"-F
H	189.5 mm
H1	195.5 mm
H2	22 mm
L	94 mm

Contact to Schmalz

J. Schmalz GmbH | Johannes-Schmalz-Straße, 72293 Glatten, Deutschland | +49 7443 2403-102 | customercenter@schmalz.de

Attribute	Value
L1	132 mm
X1	76 mm
Y1	37 mm

Technical Data

Attribute	Value
Nominal size	25 mm
Control	Optionally NO/NC
Nominal flow rate	1500 l/min
Nominal flow rate	90 m ³ /h
Power consumption (DC)	5 W
Voltage	230V - AC
Closing time	80 ms
Weight	0.52 kg

Accessories



FAS 80x38 G1-AG EMVP

Part no. 10.05.01.00063
 Filter with mounting kit
 External diameter D: 80 mm
 Length L: 38 mm
 Thread G1: G1-M
 for: Solenoid valve

Contact to Schmalz

