

# Solenoid valve

## EMVP 15 24V-DC 3/2 NO/NC

<https://www.schmalz.com/10.05.02.00146>



Part no.: 10.05.02.00146

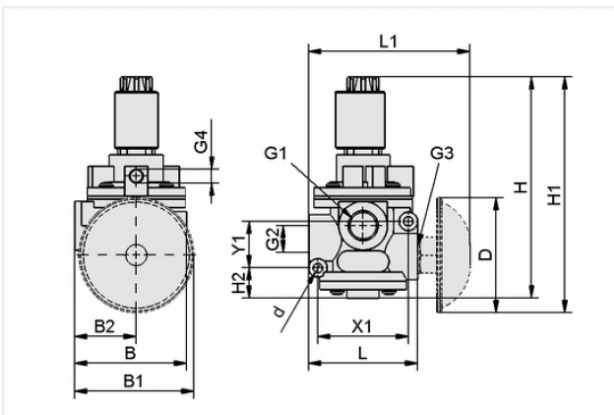
Homepage > Vacuum Technology for Automation > Vacuum Components > Valve Technology > Solenoid Valves > Solenoid Valves EMVP > EMVP 15 24V-DC 3/2 NO/NC

### Solenoid valve EMVP for vacuum, pneumatic pilot control



Nominal size: 15 mm  
 Voltage: 24V - DC  
 Function: 3/2-way valve  
 Control: Optionally NO/NC  
 Connecting thread: G1/2-F

### Design Data



Attribute	Value
B	75 mm
B1	77.5 mm
B2	37.5 mm
d	6.5 mm
D	80 mm
G1	G1/2"-F
G2	G1/2"-F
G3	G1/2"-F
G4	G1/8"-F
H	166.3 mm
H1	173.8 mm
H2	22.5 mm
L	75 mm

### Contact to Schmalz

J. Schmalz GmbH | Johannes-Schmalz-Straße, 72293 Glatten, Deutschland | +49 7443 2403-102 | [customercenter@schmalz.de](mailto:customercenter@schmalz.de)

Attribute	Value
L1	111.5 mm
X1	63 mm
Y1	32.5 mm

## Technical Data

Attribute	Value
Nominal size	15 mm
Control	Optionally NO/NC
Nominal flow rate	333 l/min
Nominal flow rate	20 m <sup>3</sup> /h
Power consumption (DC)	5 W
Voltage	24V - DC
Closing time	90 ms
Weight	0.39 kg

## Accessories



### FAS 80x33.8 G1/2-AG

Part no. 10.05.01.00061

Filter with mounting kit

External diameter D: 80 mm

Length L: 33.8 mm

Thread G1: G1/2-M

## Contact to Schmalz



**STEC 4 S-M12-4 St**

Part no. 10.05.02.00157

Plug

Number of pole: 4

Interface Connection 1:

Male connect M12, 4 pol

Mounting: push-in