

Solenoid valve

EMVP 5 24V-DC 5/2 IMP

<https://www.schmalz.com/10.05.02.00163>



Part no.: 10.05.02.00163

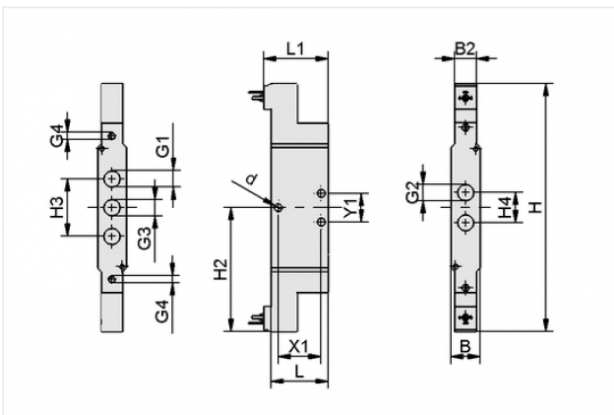
Homepage > Vacuum Technology for Automation > Vacuum Components > Valve Technology > Solenoid Valves > Solenoid Valves EMVP > EMVP 5 24V-DC 5/2 IMP

Solenoid valve EMVP for vacuum, pneumatic pilot control



Nominal size: 5 mm
 Voltage: 24V - DC
 Function: 5/2-way valve
 Control: Double pilot valve
 Connecting thread: G1/8-F

Design Data



Attribute	Value
B	15.2 mm
B2	15.2 mm
d	4.3 mm
G1	G1/8"-F
G2	G1/8"-F
G3	G1/8"-F
G4	M5-F
H	152.7 mm
H2	76.3 mm
H3	30 mm
H4	15 mm
L	32 mm
L1	37 mm

Contact to Schmalz

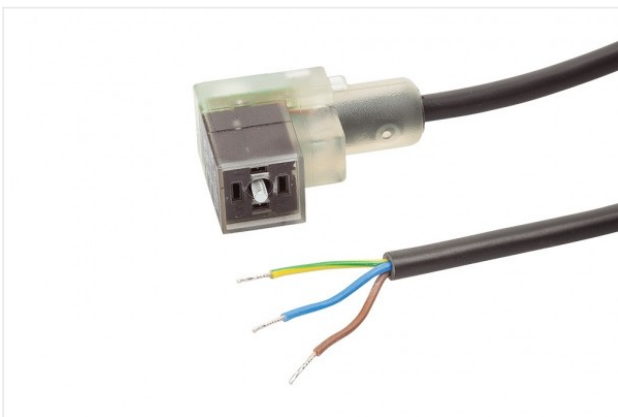
J. Schmalz GmbH | Johannes-Schmalz-Straße, 72293 Glatten, Deutschland | +49 7443 2403-102 | customercenter@schmalz.de

Attribute	Value
X1	23 mm
Y1	15 mm

Technical Data

Attribute	Value
Nominal size	5 mm
Control	Double pilot valve
Nominal flow rate	50 l/min
Nominal flow rate	3 m ³ /h
Power consumption (DC)	1 W
Voltage	24V - DC
Closing time	13 ms
Weight	0.156 kg

Accessories



ASK B-Form-C 5000 K-3P

Part no. 21.04.06.00084

Connection cable

Interface Connection 1:

Fem connect Form C

Cable length: 5000 mm

Interface Connection 2: Cable 3

Material: PVC-Cable

Shape: LED display