

# Solenoid valve

## EMV 25 24V-DC 3/2 NO

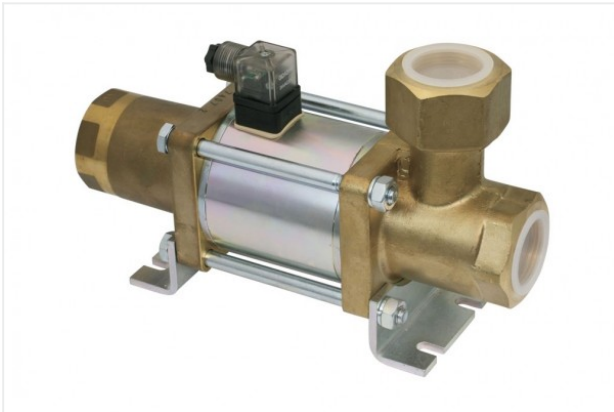
<https://www.schmalz.com/10.05.01.00076>



Part no.: 10.05.01.00076

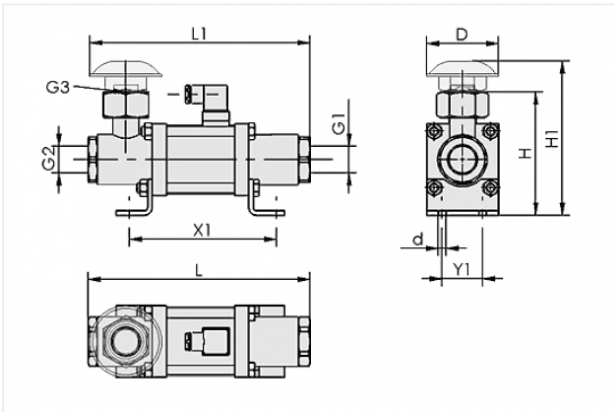
Homepage > Vacuum Technology for Automation > Vacuum Components > Valve Technology > Solenoid Valves > Solenoid Valves EMV > EMV 25 24V-DC 3/2 NO

### Solenoid valve EMV for direct control of vacuum and compressed air



Nominal size: 25 mm  
Voltage: 24V - DC  
Function: 3/2-way valve  
Control: Normally open  
Connecting thread: G1-1/4-F  
Power consumption (DC): 63.8 W

### Design Data



Attribute	Value
-----------	-------

d	8.5 mm
---	--------

D	80 mm
---	-------

G1	G1-1/4"-F
----	-----------

G2	G1-1/4"-F
----	-----------

G3	G1-1/4"-F
----	-----------

H	167 mm
---	--------

H1	200 mm
----	--------

L	281 mm
---	--------

L1	271.5 mm
----	----------

X1	178 mm
----	--------

Y1	50 mm
----	-------

### Contact to Schmalz

J. Schmalz GmbH | Johannes-Schmalz-Straße, 72293 Glatten, Deutschland | +49 7443 2403-102 | [customercenter@schmalz.de](mailto:customercenter@schmalz.de)

## Technical Data

Attribute	Value
Nominal size	25 mm
Control	Normally open
Nominal flow rate	1,466.7 l/min
Nominal flow rate	88 m <sup>3</sup> /h
Power consumption (DC)	63.8 W
Voltage	24V - DC
Closing time	135 ms
Weight	9.6 kg

## Spare Parts



### **FAS 80x32 G1-1/4-AG EMVP-25+50**

Part no. 10.05.01.00064

Filter with mounting kit

External diameter D: 80 mm

Length L: 32 mm

Thread G1: G1-1/4-M

for: Solenoid valve

Size: 25+50