

Solenoid valve

EMV 25 230V-AC 3/2 NO

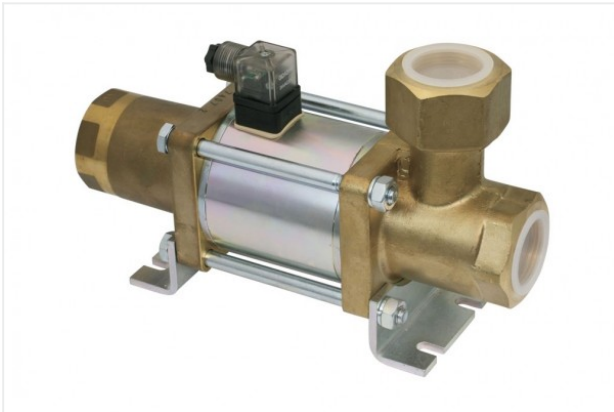
<https://www.schmalz.com/10.05.01.00077>



Part no.: 10.05.01.00077

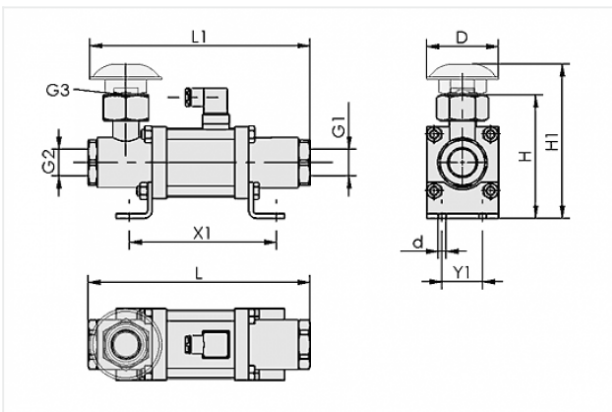
Homepage > Vacuum Technology for Automation > Vacuum Components > Valve Technology > Solenoid Valves > Solenoid Valves EMV > EMV 25 230V-AC 3/2 NO

Solenoid valve EMV for direct control of vacuum and compressed air



Nominal size: 25 mm
Voltage: 230V - AC
Function: 3/2-way valve
Control: Normally open
Connecting thread: G1-1/4-F
Power consumption (DC): 63.8 W

Design Data



Attribute	Value
-----------	-------

d	8.5 mm
---	--------

D	80 mm
---	-------

G1	G1-1/4"-F
----	-----------

G2	G1-1/4"-F
----	-----------

G3	G1-1/4"-F
----	-----------

H	167 mm
---	--------

H1	200 mm
----	--------

L	281 mm
---	--------

L1	271.5 mm
----	----------

X1	178 mm
----	--------

Y1	50 mm
----	-------

Contact to Schmalz

J. Schmalz GmbH | Johannes-Schmalz-Straße, 72293 Glatten, Deutschland | +49 7443 2403-102 | customercenter@schmalz.de

Technical Data

Attribute	Value
Nominal size	25 mm
Control	Normally open
Nominal flow rate	1,466.7 l/min
Nominal flow rate	88 m ³ /h
Power consumption (DC)	63.8 W
Voltage	230V - AC
Closing time	135 ms
Weight	9.6 kg

Spare Parts



FAS 80x32 G1-1/4-AG EMVP-25+50

Part no. 10.05.01.00064

Filter with mounting kit

External diameter D: 80 mm

Length L: 32 mm

Thread G1: G1-1/4-M

for: Solenoid valve

Size: 25+50