

# Solenoid valve

## EMV 20 24V-DC 3/2 NO

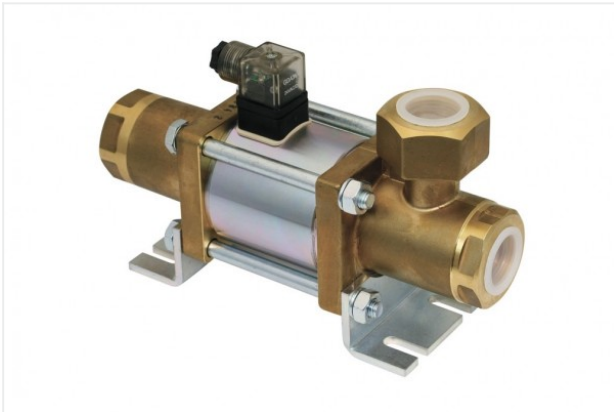
<https://www.schmalz.com/10.05.01.00074>



Part no.: 10.05.01.00074

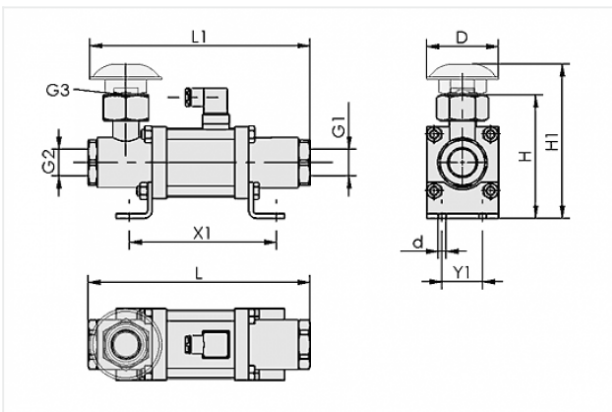
Homepage > Vacuum Technology for Automation > Vacuum Components > Valve Technology > Solenoid Valves > Solenoid Valves EMV > EMV 20 24V-DC 3/2 NO

## Solenoid valve EMV for direct control of vacuum and compressed air



Nominal size: 20 mm  
Voltage: 24V - DC  
Function: 3/2-way valve  
Control: Normally open  
Connecting thread: G1-F  
Power consumption (DC): 40.8 W

### Design Data



Attribute	Value
-----------	-------

d	8.5 mm
---	--------

D	80 mm
---	-------

G1	G1"-F
----	-------

G2	G1"-F
----	-------

G3	G1"-F
----	-------

H	137 mm
---	--------

H1	172 mm
----	--------

L	247 mm
---	--------

L1	245 mm
----	--------

X1	148 mm
----	--------

Y1	45 mm
----	-------

### Contact to Schmalz

J. Schmalz GmbH | Johannes-Schmalz-Straße, 72293 Glatten, Deutschland | +49 7443 2403-102 | [customercenter@schmalz.de](mailto:customercenter@schmalz.de)

## Technical Data

Attribute	Value
Nominal size	20 mm
Control	Normally open
Nominal flow rate	883.3 l/min
Nominal flow rate	53 m <sup>3</sup> /h
Power consumption (DC)	40.8 W
Voltage	24V - DC
Closing time	100 ms
Weight	6.375 kg

## Spare Parts



### **FAS 80x38 G1-AG EMVP**

Part no. 10.05.01.00063

Filter with mounting kit

External diameter D: 80 mm

Length L: 38 mm

Thread G1: G1-M

for: Solenoid valve