

# Solenoid valve

## EMV 10 24V-DC 3/2 NO

<https://www.schmalz.com/10.05.01.00070>



Part no.: 10.05.01.00070

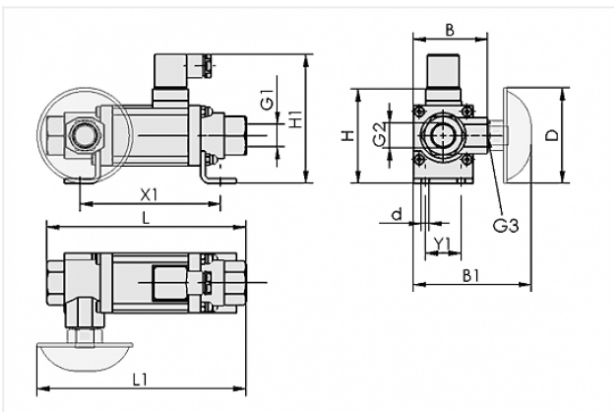
Homepage > Vacuum Technology for Automation > Vacuum Components > Valve Technology > Solenoid Valves > Solenoid Valves EMV > EMV 10 24V-DC 3/2 NO

### Solenoid valve EMV for direct control of vacuum and compressed air



Nominal size: 10 mm  
 Voltage: 24V - DC  
 Function: 3/2-way valve  
 Control: Normally open  
 Connecting thread: G1/2-F  
 Power consumption (DC): 32 W

#### Design Data



Attribute	Value
B	62 mm
B1	98.5 mm
d	7 mm
D	80 mm
G1	G1/2"-F
G2	G1/2"-F
G3	G1/2"-F
H	79 mm
H1	108 mm
L	166.5 mm
L1	174.5 mm
X1	117.5 mm
Y1	30 mm

#### Contact to Schmalz

J. Schmalz GmbH | Johannes-Schmalz-Straße, 72293 Glatten, Deutschland | +49 7443 2403-102 | [customercenter@schmalz.de](mailto:customercenter@schmalz.de)

---

## Technical Data

Attribute	Value
Nominal size	10 mm
Control	Normally open
Nominal flow rate	333.3 l/min
Nominal flow rate	20 m <sup>3</sup> /h
Power consumption (DC)	32 W
Voltage	24V - DC
Closing time	25 ms
Weight	2.51 kg

---

## Spare Parts



### **FAS 80x33.8 G1/2-AG**

Part no. 10.05.01.00061

Filter with mounting kit

External diameter D: 80 mm

Length L: 33.8 mm

Thread G1: G1/2-M