

Solenoid valve

EMV 3 230V-AC 2/2 NC

<https://www.schmalz.com/10.05.01.00067>



Part no.: 10.05.01.00067

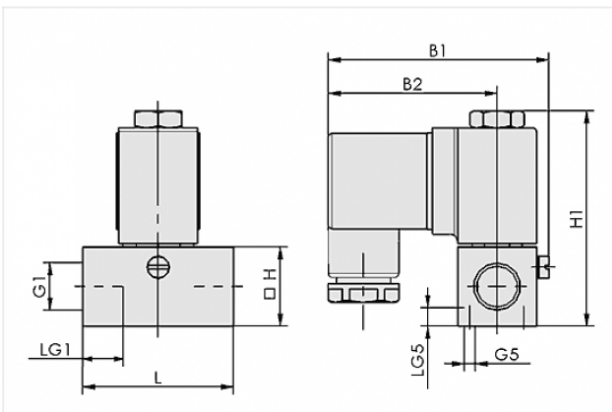
Homepage > Vacuum Technology for Automation > Vacuum Components > Valve Technology > Solenoid Valves > Solenoid Valves EMV > EMV 3 230V-AC 2/2 NC

Solenoid valve EMV for direct control of vacuum and compressed air



Nominal size: 3 mm
Voltage: 230V - AC
Function: 2/2-way valve
Control: Normally closed
Connecting thread: G1/4-F
Power consumption (DC): 5 W

Design Data



Attribute	Value
-----------	-------

B1	61.5 mm
----	---------

B2	47 mm
----	-------

G1	G1/4"-F
----	---------

G5	M3-F
----	------

H	22 mm
---	-------

H1	60 mm
----	-------

L	42 mm
---	-------

LG1	12 mm
-----	-------

LG5	5 mm
-----	------

Contact to Schmalz

J. Schmalz GmbH | Johannes-Schmalz-Straße, 72293 Glatten, Deutschland | +49 7443 2403-102 | customercenter@schmalz.de

Technical Data

Attribute	Value
Nominal size	3 mm
Control	Normally closed
Nominal flow rate	33.3 l/min
Nominal flow rate	2 m ³ /h
Power consumption (DC)	5 W
Voltage	230V - AC
Closing time	20 ms
Weight	0.2 kg
