

Solenoid valve

EMV 2 24V-DC 3/2 NC

<https://www.schmalz.com/10.05.01.00290>



Part no.: 10.05.01.00290

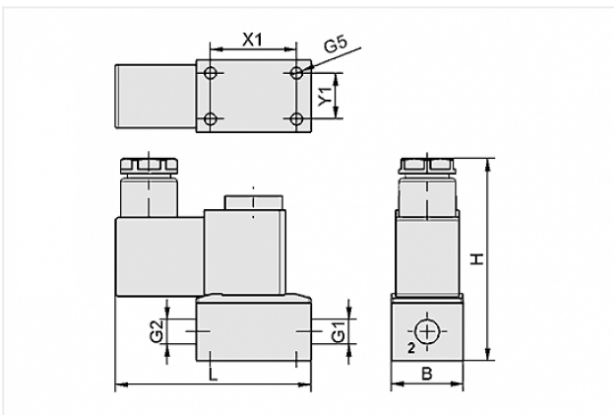
Homepage > Vacuum Technology for Automation > Vacuum Components > Valve Technology > Solenoid Valves > Solenoid Valves EMV > EMV 2 24V-DC 3/2 NC

Solenoid valve EMV for direct control of vacuum and compressed air



Nominal size: 2 mm
Voltage: 24V - DC
Function: 3/2-way valve
Control: Normally closed
Connecting thread: G1/8-F
Power consumption (DC): 2.2 W

Design Data



Attribute	Value
-----------	-------

B	25 mm
---	-------

G1	G1/8"-F
----	---------

G2	G1/8"-F
----	---------

G5	M5-F
----	------

H	70 mm
---	-------

L	68 mm
---	-------

X1	30 mm
----	-------

Y1	16 mm
----	-------

Technical Data

Contact to Schmalz

J. Schmalz GmbH | Johannes-Schmalz-Straße, 72293 Glatten, Deutschland | +49 7443 2403-102 | customercenter@schmalz.de

Attribute	Value
Nominal size	2 mm
Control	Normally closed
Nominal flow rate	16.7 l/min
Nominal flow rate	1 m ³ /h
Power consumption (DC)	2.2 W
Voltage	24V - DC
Closing time	10 ms
Weight	0.15 kg
