

## Inline valve

<https://www.schmalz.com/10.05.01.00173>



### IV 3 3/2 G1/4-IG G3/8-AG 24V-DC

Part no.: 10.05.01.00173

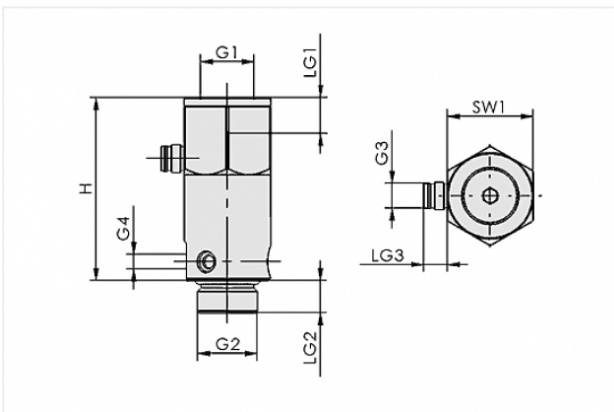
Homepage > Vacuum Technology for Automation > Vacuum Components > Valve Technology > Solenoid Valves > Inline Valves IV > IV 3 3/2 G1/4-IG G3/8-AG 24V-DC

## Inline valve for direct vacuum control at the suction cup



Nominal size: 3 mm  
Function: 3/2-way valve  
Thread G1: G1/4-F  
Thread G2: G3/8-M  
Voltage: 24V - DC

## Design Data



Attribute	Value
-----------	-------

G1	G1/4"-F
----	---------

G2	G3/8"-M
----	---------

G3	M8-M
----	------

G4	M5-F
----	------

H	51 mm
---	-------

LG1	9 mm
-----	------

LG2	9 mm
-----	------

LG3	6.5 mm
-----	--------

SW1	24 mm
-----	-------

## Contact to Schmalz

J. Schmalz GmbH | Johannes-Schmalz-Straße, 72293 Glatten, Deutschland | +49 7443 2403-102 | [customercenter@schmalz.de](mailto:customercenter@schmalz.de)

## Technical Data

Attribute	Value
Nominal size	3 mm
Control	Normally open
Nominal flow rate	33.3 l/min
Nominal flow rate	2 m <sup>3</sup> /h
Power consumption (DC)	4.5 W
Voltage	24V - DC
Weight	0.074 kg

## Accessories



### ASK B-M8-4 5000 K-4P

Part no. 10.06.02.00031

Connection cable

Interface Connection cable:

Fem connect M8, 4 pol

Cable length: 5000 mm

Interface Connection cable: Cable 4

Material: PUR-Cable



### ASK WB-M8-4 5000 K-4P

Part no. 10.06.02.00032

Connection cable

Interface Connection cable:

Elbow fem con M8, 4 pol

Cable length: 5000 mm

Interface Connection cable: Cable 4

Material: PUR-Cable

## Contact to Schmalz

**VS-V-SA M5-AG**

Part no. 10.06.02.00224

Miniature vacuum sensor with analogue output signal

Connection: M5-M

Measuring range: -1.00 ... 0.00 bar

Cable length: 3 m

**VS-V-SD 60 M5-AG**

Part no. 10.06.02.00257

Miniature vacuum switch with digital output signal

Switching point: - 600 mbar

Connection: M5-M

Measuring range: -1.0 ... 0.0 bar

Cable length: 3 m