

# Vacuum blower

## SGBL-DG-490-370-7.5

Part no.: 10.04.02.00003

<https://www.schmalz.com/10.04.02.00003>



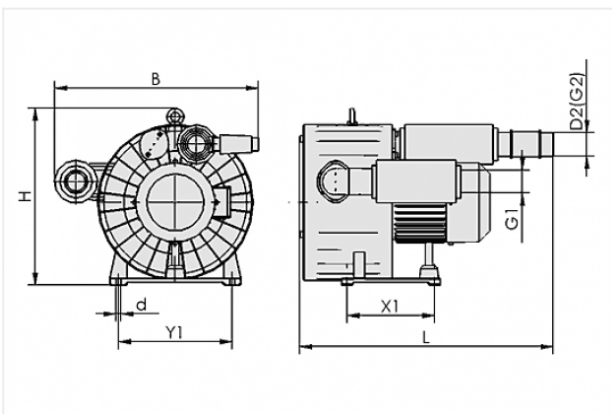
Homepage > Vacuum Technology for Automation > Vacuum Components > Vacuum Generators > Vacuum Blowers > Vacuum Blowers SGBL-DG > SGBL-DG-490-370-7.5

## Directly driven vacuum blower for high suction volume



Vacuum (max): -370 mbar  
Suction rate: 490 m<sup>3</sup>/h  
Noise level (50 Hz): 75 dB  
Voltage (50 Hz): 345-415V o. 600-720V  
Voltage (60 Hz): 380-480V o. 660-720V  
Rated power (50 Hz): 7.5 kW  
Rated power (60 Hz): 8.6 kW  
Protection: IP 55  
Diameter vacuum connection: 75 mm  
Vacuum connection: G2-1/2-M  
Weight: 187.2 kg

## Design Data



Attribute	Value
-----------	-------

B	655 mm
d	15 mm
D2	75 mm
G1	G2-1/2"-M
G2	G2-1/2"-M
H	566 mm
L	810 mm
X1	280 mm
Y1	365 mm

## Contact to Schmalz

J. Schmalz GmbH | Johannes-Schmalz-Straße, 72293 Glatten, Deutschland | +49 7443 2403-102 | [customercenter@schmalz.de](mailto:customercenter@schmalz.de)

## Technical Data

Attribute	Value
Suction rate (50 Hz)	490 m <sup>3</sup> /h
Vacuum (max)	-370 mbar
Vacuum (max)	-10.926 inHg
Voltage (delta connection)	400 V
Voltage (Y-connection)	690 V
Rated current (delta connection)	16.7 A
Rated current (Y-connection)	9.6 A
Rated power (50 Hz)	7.5 kW
Noise level (50 Hz)	75 dB
Weight	187.2 kg
Mains frequency	50 Hz
Protection	IP 55
Current type	AC3

## Accessories



### MSS-K 16-20A

Part no. 10.04.04.00125

Motor-protection switch with housing

Current range: 16.0 ... 20.0 A

Actuation: Rotary switch

Colour: grey

Protection: IP 65

## Contact to Schmalz



**STF 75 P 8.0 SSD**

Part no. 10.07.01.00263

Dust filter

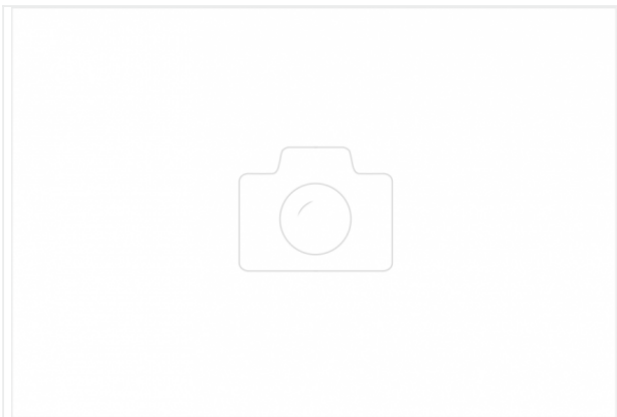
Connection: Ø75mm

Shape: Piclon housing

Nominal flow rate: 480 m<sup>3</sup>/h

Filter pore size: 3 µm

Additional equipment: Hose clamps SSD



**SBB-SBL-840x740x743-ST-VZ-LUE**

Part no. 10.04.04.00056

Silencer box for reduction of the noise level

for: Vacuum blower SBL

Material: Steel

Surface: galvanised

with: Ventilator

Length L: 840 mm

Width B: 740 mm

Height H: 743 mm