

Vacuum blower

SGBL-DG-410-225-4

Part no.: 10.04.02.00077

<https://www.schmalz.com/10.04.02.00077>



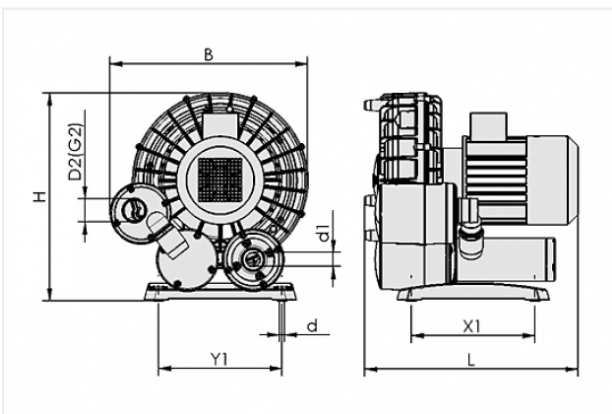
Homepage > Vacuum Technology for Automation > Vacuum Components > Vacuum Generators > Vacuum Blowers > Vacuum Blowers SGBL-DG > SGBL-DG-410-225-4

Directly driven vacuum blower for high suction volume



Vacuum (max): -225 mbar
Suction rate: 410 m³/h
Noise level (50 Hz): 74 dB
Voltage (50 Hz): 190-255V or 330-440V
Voltage (60 Hz): 190-290V or 330-500V
Rated power (50 Hz): 4 kW
Rated power (60 Hz): 4.6 kW
Protection: IP 55
Diameter vacuum connection: 60 mm
Vacuum connection: G2"-M
Weight: 71 kg

Design Data



Attribute	Value
-----------	-------

B	496 mm
---	--------

d	12 mm
---	-------

d1	35 mm
----	-------

D2	60 mm
----	-------

G2	G2"-M
----	-------

H	522 mm
---	--------

L	520 mm
---	--------

X1	310 mm
----	--------

Y1	310 mm
----	--------

Contact to Schmalz

J. Schmalz GmbH | Johannes-Schmalz-Straße, 72293 Glatten, Deutschland | +49 7443 2403-102 | customercenter@schmalz.de

Technical Data

Attribute	Value
Suction rate (50 Hz)	410 m ³ /h
Vacuum (max)	-225 mbar
Vacuum (max)	-6.644 inHg
Voltage (delta connection)	230 V
Voltage (Y-connection)	400 V
Rated current (delta connection)	15.5 A
Rated current (Y-connection)	8.9 A
Rated power (50 Hz)	4 kW
Noise level (50 Hz)	74 dB
Weight	71 kg
Mains frequency	50 Hz
Protection	IP 55
Current type	AC3

Accessories



MSS-K 6.3-10A

Part no. 10.04.04.00122

Motor-protection switch with housing

Current range: 6.3 ... 10.0 A

Actuation: Rotary switch

Colour: grey

Protection: IP 65

Contact to Schmalz



SBB-SGBL-650x575x600-ST/ABS-VZ

Part no. 10.04.04.00127

Silencer box for reduction of the noise level

for: Vacuum blower SGBL

Material: Steel/ABS

Surface: galvanised

Length L: 650 mm

Width B: 575 mm

Height H: 600 mm



STF 60 P 6.0 SSD

Part no. 10.07.01.00260

Dust filter

Connection: Ø60mm

Shape: Piclon housing

Nominal flow rate: 360 m³/h

Filter pore size: 3 µm

Additional equipment: Hose clamps SSD