

Vacuum blower

SGBL-DG-310-420-5.5

Part no.: 10.04.02.00086

<https://www.schmalz.com/10.04.02.00086>



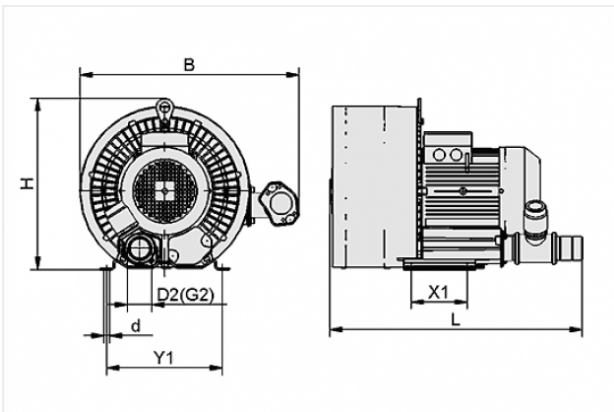
Homepage > Vacuum Technology for Automation > Vacuum Components > Vacuum Generators > Vacuum Blowers > Vacuum Blowers SGBL-DG > SGBL-DG-310-420-5.5

Directly driven vacuum blower for high suction volume



Vacuum (max): -420 mbar
Suction rate: 310 m³/h
Noise level (50 Hz): 75 dB
Voltage (50 Hz): 345-415V o. 600-720V
Voltage (60 Hz): 380-480V o. 660-720V
Rated power (50 Hz): 5.5 kW
Rated power (60 Hz): 6.3 kW
Protection: IP 55
Diameter vacuum connection: 60 mm
Vacuum connection: G2-F
Colour: RAL 7035 Light grey
Weight: 70 kg

Design Data



Attribute	Value
-----------	-------

B	541 mm
---	--------

d	15 mm
---	-------

D2	60 mm
----	-------

G1	G2"-F
----	-------

G2	G2"-F
----	-------

H	429 mm
---	--------

L	780 mm
---	--------

X1	140 mm
----	--------

Y1	290 mm
----	--------

Contact to Schmalz

J. Schmalz GmbH | Johannes-Schmalz-Straße, 72293 Glatten, Deutschland | +49 7443 2403-102 | customercenter@schmalz.de

Technical Data

Attribute	Value
Suction rate (50 Hz)	310 m ³ /h
Vacuum (max)	-420 mbar
Vacuum (max)	-12.402 inHg
Voltage (delta connection)	400 V
Voltage (Y-connection)	690 V
Rated current (delta connection)	13.3 A
Rated current (Y-connection)	7.7 A
Rated power (50 Hz)	5.5 kW
Noise level (50 Hz)	75 dB
Weight	70 kg
Mains frequency	50 Hz
Protection	IP 55
Current type	AC3

Accessories



MSS-K 8-12A

Part no. 10.04.04.00123

Motor-protection switch with housing

Current range: 8.0 ... 12.0 A

Actuation: Rotary switch

Colour: grey

Protection: IP 65

Contact to Schmalz



SBB-SBL-806x690x610-ST

Part no. 10.04.04.00031

Silencer box for reduction of the noise level

for: Vacuum blower SBL

Material: Steel

Length L: 806 mm

Width B: 690 mm

Height H: 610 mm



STF 60 P 6.0 SSD

Part no. 10.07.01.00260

Dust filter

Connection: Ø60mm

Shape: Piclon housing

Nominal flow rate: 360 m³/h

Filter pore size: 3 µm

Additional equipment: Hose clamps SSD