

Vacuum blower

SGBL-DG-310-270-3-DBV

Part no.: 10.04.01.00011

<https://www.schmalz.com/10.04.01.00011>



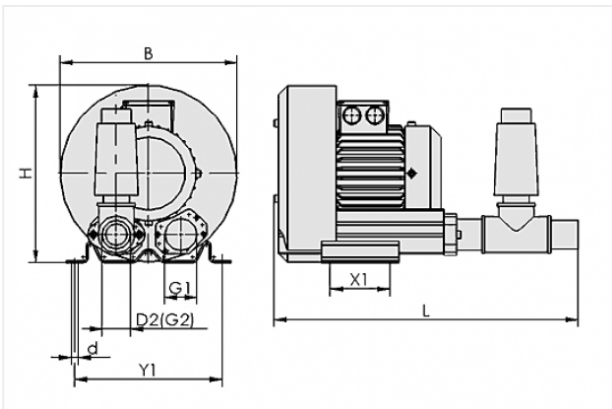
Homepage > Vacuum Technology for Automation > Vacuum Components > Vacuum Generators > Vacuum Blowers > Vacuum Blowers SGBL-DG > SGBL-DG-310-270-3-DBV

Directly driven vacuum blower for high suction volume



Vacuum (max): -270 mbar
Suction rate: 310 m³/h
Noise level (50 Hz): 70 dB
Voltage (50 Hz): 200-240V or 345-415V
Voltage (60 Hz): 220-275V or 380-480V
Rated power (50 Hz): 3 kW
Rated power (60 Hz): 3.45 kW
Protection: IP 55
Diameter vacuum connection: 60 mm
Vacuum connection: G2-F
Colour: RAL 7035 Light grey
Weight: 37.5 kg

Design Data



Attribute	Value
-----------	-------

B	381 mm
---	--------

d	15 mm
---	-------

D2	60 mm
----	-------

G1	G2"-F
----	-------

G2	G2"-F
----	-------

H	384 mm
---	--------

L	542 mm
---	--------

X1	140 mm
----	--------

Y1	290 mm
----	--------

Contact to Schmalz

J. Schmalz GmbH | Johannes-Schmalz-Straße, 72293 Glatten, Deutschland | +49 7443 2403-102 | customercenter@schmalz.de

Technical Data

Attribute	Value
Suction rate (50 Hz)	310 m ³ /h
Vacuum (max)	-270 mbar
Vacuum (max)	-7.973 inHg
Voltage (delta connection)	230 V
Voltage (Y-connection)	400 V
Rated current (delta connection)	12.5 A
Rated current (Y-connection)	7.2 A
Rated power (50 Hz)	3 kW
Noise level (50 Hz)	70 dB
Weight	37.5 kg
Mains frequency	50 Hz
Protection	IP 55
Current type	AC3

Accessories



MSS-K 6.3-10A

Part no. 10.04.04.00122

Motor-protection switch with housing

Current range: 6.3 ... 10.0 A

Actuation: Rotary switch

Colour: grey

Protection: IP 65

Contact to Schmalz



STF 60 P 6.0 SSD

Part no. 10.07.01.00260

Dust filter

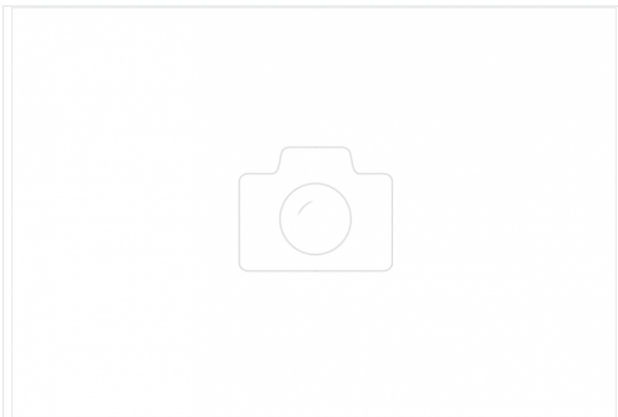
Connection: Ø60mm

Shape: Piclon housing

Nominal flow rate: 360 m³/h

Filter pore size: 3 µm

Additional equipment: Hose clamps SSD



SBB-SBL-806x690x610-ST

Part no. 10.04.04.00031

Silencer box for reduction of the noise level

for: Vacuum blower SBL

Material: Steel

Length L: 806 mm

Width B: 690 mm

Height H: 610 mm