

Vacuum blower

SGBL-DG-165-180-0.95

<https://www.schmalz.com/10.04.01.00001>



Part no.: 10.04.01.00001

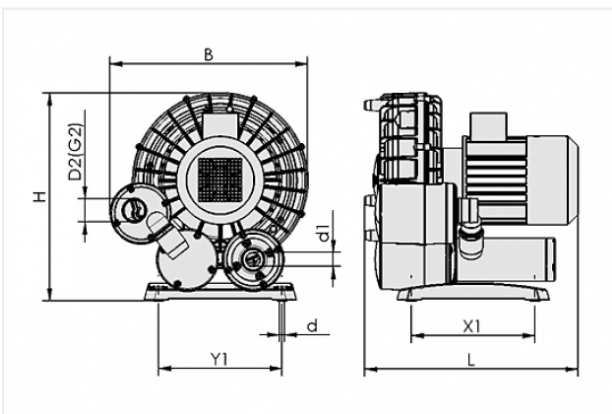
Homepage > Vacuum Technology for Automation > Vacuum Components > Vacuum Generators > Vacuum Blowers > Vacuum Blowers SGBL-DG > SGBL-DG-165-180-0.95

Directly driven vacuum blower for high suction volume



Vacuum (max): -180 mbar
Suction rate: 165 m³/h
Noise level (50 Hz): 72 dB
Voltage (50 Hz): 230V or 400V
Voltage (60 Hz): 277V or 480V
Rated power (50 Hz): 0.95 kW
Rated power (60 Hz): 1.6 kW
Protection: IP 54
Diameter vacuum connection: 50 mm
Vacuum connection: G1-1/2-F
Weight: 30 kg

Design Data



Attribute	Value
B	358 mm
d	11 mm
d1	40 mm
D2	50 mm
G2	G1-1/2"-F
H	375 mm
L	357 mm
X1	120 mm
Y1	220 mm

Contact to Schmalz

J. Schmalz GmbH | Johannes-Schmalz-Straße, 72293 Glatten, Deutschland | +49 7443 2403-102 | customercenter@schmalz.de

Technical Data

Attribute	Value
Suction rate (50 Hz)	165 m³/h
Vacuum (max)	-180 mbar
Vacuum (max)	-5.315 inHg
Voltage (delta connection)	230 V
Voltage (Y-connection)	400 V
Rated current (delta connection)	4 A
Rated current (Y-connection)	2.3 A
Rated power (50 Hz)	0.95 kW
Noise level (50 Hz)	72 dB
Weight	30 kg
Mains frequency	50 Hz
Protection	IP 54
Current type	AC3

Accessories



MSS-K 1.6-2.5A

Part no. 10.04.04.00119

Motor-protection switch with housing

Current range: 1.6 ... 2.5 A

Actuation: Rotary switch

Colour: grey

Protection: IP 65

Contact to Schmalz



STF 60 P 4.5 SSD

Part no. 10.07.01.00259

Dust filter

Connection: Ø60mm

Shape: Piclon housing

Nominal flow rate: 270 m³/h

Filter pore size: 3 µm

Additional equipment: Hose clamps SSD