

Vacuum blower

SGBL-DG-145-120-0.7-DBV

Part no.: 10.04.01.00009

<https://www.schmalz.com/10.04.01.00009>



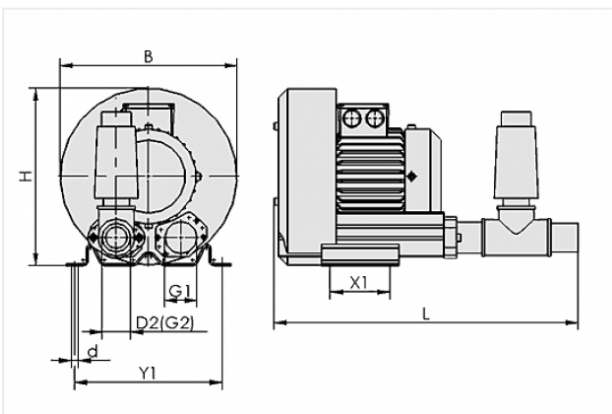
Homepage > Vacuum Technology for Automation > Vacuum Components > Vacuum Generators > Vacuum Blowers > Vacuum Blowers SGBL-DG > SGBL-DG-145-120-0.7-DBV

Directly driven vacuum blower for high suction volume



Vacuum (max): -120 mbar
Suction rate: 145 m³/h
Noise level (50 Hz): 63 dB
Voltage (50 Hz): 200-240V or 345-415V
Voltage (60 Hz): 220-275V or 380-480V
Rated power (50 Hz): 0.7 kW
Rated power (60 Hz): 0.83 kW
Protection: IP 55
Diameter vacuum connection: 60 mm
Vacuum connection: G2-M
Weight: 14.8 kg

Design Data



Attribute	Value
-----------	-------

B	285 mm
---	--------

d	12 mm
---	-------

D2	60 mm
----	-------

G1	G1-1/2"-F
----	-----------

G2	G2"-M
----	-------

H	302 mm
---	--------

L	460 mm
---	--------

X1	95 mm
----	-------

Y1	225 mm
----	--------

Contact to Schmalz

J. Schmalz GmbH | Johannes-Schmalz-Straße, 72293 Glatten, Deutschland | +49 7443 2403-102 | customercenter@schmalz.de

Technical Data

Attribute	Value
Suction rate (50 Hz)	145 m ³ /h
Vacuum (max)	-120 mbar
Vacuum (max)	-3.543 inHg
Voltage (delta connection)	230 V
Voltage (Y-connection)	400 V
Rated current (delta connection)	4.3 A
Rated current (Y-connection)	2.5 A
Rated power (50 Hz)	0.7 kW
Noise level (50 Hz)	63 dB
Weight	14.8 kg
Mains frequency	50 Hz
Protection	IP 55
Current type	AC3

Accessories



MSS-K 1.6-2.5A

Part no. 10.04.04.00119

Motor-protection switch with housing

Current range: 1.6 ... 2.5 A

Actuation: Rotary switch

Colour: grey

Protection: IP 65

Contact to Schmalz



STF 60 P 4.5 SSD

Part no. 10.07.01.00259

Dust filter

Connection: Ø60mm

Shape: Piclon housing

Nominal flow rate: 270 m³/h

Filter pore size: 3 µm

Additional equipment: Hose clamps SSD