

Vacuum blower

SGBL-DG-80-110-0.25

Part no.: 10.04.01.00008

<https://www.schmalz.com/10.04.01.00008>



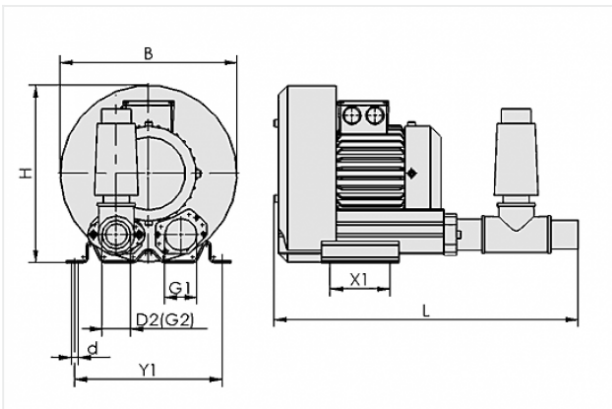
Homepage > Vacuum Technology for Automation > Vacuum Components > Vacuum Generators > Vacuum Blowers > Vacuum Blowers SGBL-DG > SGBL-DG-80-110-0.25

Directly driven vacuum blower for high suction volume



Vacuum (max): -110 mbar
Suction rate: 80 m³/h
Noise level (50 Hz): 53 dB
Voltage (50 Hz): 200-240V or 345-415V
Voltage (60 Hz): 220-275V or 380-480V
Rated power (50 Hz): 0.25 kW
Rated power (60 Hz): 0.29 kW
Protection: IP 55
Diameter vacuum connection: 40 mm
Vacuum connection: G1-1/4-F
Colour: RAL 7035 Light grey
Weight: 10.9 kg

Design Data



Attribute	Value
-----------	-------

B	246 mm
---	--------

d	10 mm
---	-------

D2	40 mm
----	-------

G1	G1-1/2"-F
----	-----------

G2	G1-1/4"-F
----	-----------

H	247 mm
---	--------

L	425 mm
---	--------

X1	83 mm
----	-------

Y1	205 mm
----	--------

Contact to Schmalz

J. Schmalz GmbH | Johannes-Schmalz-Straße, 72293 Glatten, Deutschland | +49 7443 2403-102 | customercenter@schmalz.de

Technical Data

Attribute	Value
Suction rate (50 Hz)	78 m ³ /h
Vacuum (max)	-110 mbar
Vacuum (max)	-3.248 inHg
Voltage (delta connection)	230 V
Voltage (Y-connection)	400 V
Rated current (delta connection)	2.1 A
Rated current (Y-connection)	1.2 A
Rated power (50 Hz)	0.25 kW
Noise level (50 Hz)	53 dB
Weight	10.9 kg
Mains frequency	56 Hz
Protection	IP 55
Current type	AC3

Accessories



MSS-K 1-1.6A

Part no. 10.04.04.00118

Motor-protection switch with housing

Current range: 1.0 ... 1.6 A

Actuation: Rotary switch

Colour: grey

Protection: IP 65

Contact to Schmalz



STF G1-1/4-IG N

Part no. 10.07.01.00008

Dust filter

Connection: G1-1/4-F

Shape: Steel housing

Nominal flow rate: 96 m³/h

Filter pore size: 3 µm