

Hose clamp

SSD 54-60 ST-VZ

Part no.: 10.07.10.00036

<https://www.schmalz.com/10.07.10.00036>



Homepage > Vacuum Technology for Automation > Vacuum Components > Filters and Connections > Hoses and Connectors > Hose Clamps SSB / SSD > SSD 54-60 ST-VZ

Hose clamp for securing wire-reinforced hoses

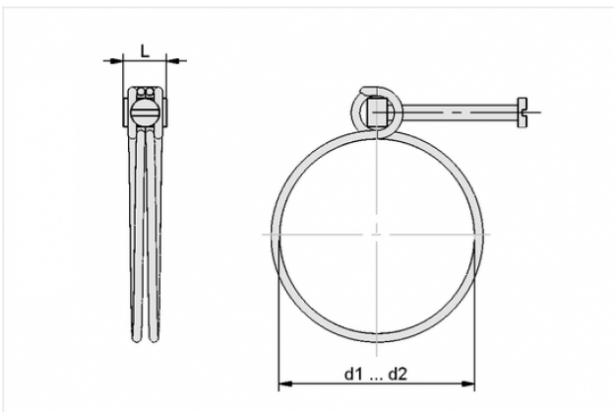


Clamping range: 54.0 ... 60.0 mm

Material: Steel

Surface: galvanised

Design Data



Attribute	Value
-----------	-------

d1	54 mm
----	-------

d2	60 mm
----	-------

L	15 mm
---	-------

Technical Data

Attribute	Value
-----------	-------

Clamping range	54.0 ... 60.0 mm
----------------	------------------

Material	Steel
----------	-------

Contact to Schmalz

J. Schmalz GmbH | Johannes-Schmalz-Straße, 72293 Glatten, Deutschland | +49 7443 2403-102 | customercenter@schmalz.de

Attribute	Value
Surface	galvanised
Weight	29 g

Accessories



VSL 60-50 PU-DS

Part no. 10.07.09.00020

Hose for vacuum and compressed-air systems

External diameter D: 60 mm

Internal diameter d: 50 mm

Length (max): 20 m

Material: PU, with wire spiral

Installation radius (min): 95 mm

Pressure range (operating pressure):

-0.78 ... 2.90 bar

Ambient temperature: -20 ... 90 °C



VSL 60-50 HV PU-DS

Part no. 10.07.09.00076

Hose for vacuum and compressed-air systems

External diameter D: 60 mm

Internal diameter d: 50 mm

Length (max): 10 m

Material: PU, with wire spiral

Installation radius (min): 145 mm

Pressure range (operating pressure):

-0.96 ... 3.20 bar

Ambient temperature: -20 ... 90 °C