

Vacuum pump EVE-WR 65 AC3

Part no.: 10.03.05.00016

<https://www.schmalz.com/10.03.05.00016>



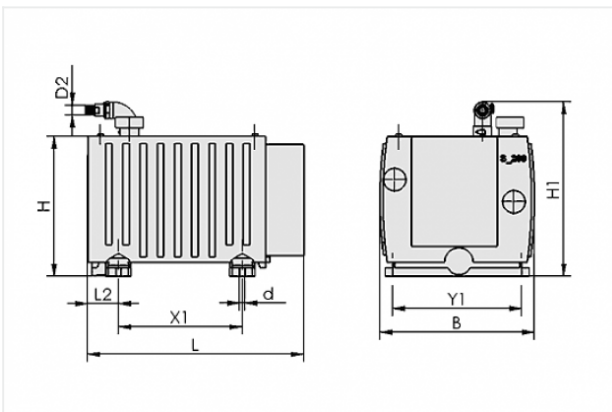
Homepage > Vacuum Technology for Automation > Vacuum Components > Vacuum Generators > Vacuum Pumps > Water-Ring Pumps EVE-WR > EVE-WR 65 AC3

Water-ring pump, wear-free, robust, requires little maintenance



Suction rate: 65 m³/h
Current type: 3-phase AC
Noise level: 70 dB
Voltage (50Hz): 200-240V or 345-420V
Rated power (50Hz): 2.4 kW
Rated power (60Hz): 2.4 kW
Weight: 68 kg

Design Data



Attribute	Value
-----------	-------

B	572 mm
---	--------

d	14 mm
---	-------

D2	50 mm
----	-------

H	436 mm
---	--------

H1	553 mm
----	--------

L	764 mm
---	--------

X1	450 mm
----	--------

Y1	495 mm
----	--------

Technical Data

Contact to Schmalz

J. Schmalz GmbH | Johannes-Schmalz-Straße, 72293 Glatten, Deutschland | +49 7443 2403-102 | customercenter@schmalz.de

Attribute	Value
Vacuum (max)	-930 mbar
Vacuum (max)	-27.462 inHg
Suction rate (50 Hz)	65 m ³ /h
Voltage (50 Hz)	200-240V or 345-420V
Voltage (60 Hz)	200-275V or 345-480V
Rated power (50 Hz)	2.4 kW
Rated power (60 Hz)	2.4 kW
Noise level (50 Hz)	70 dB
Weight	68 kg
Protection	IP 54
Current type	AC3

Accessories



MSS-K 8-12A

Part no. 10.04.04.00123

Motor-protection switch with housing

Current range: 8.0 ... 12.0 A

Actuation: Rotary switch

Colour: grey

Protection: IP 65