

# Vacuum pump EVE-WR 25 AC3

Part no.: 10.03.05.00014

<https://www.schmalz.com/10.03.05.00014>



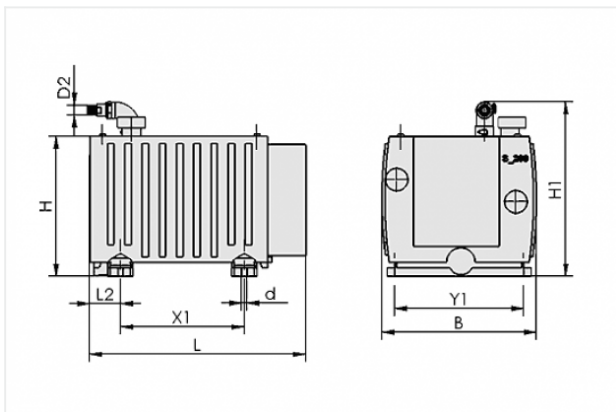
Homepage > Vacuum Technology for Automation > Vacuum Components > Vacuum Generators > Vacuum Pumps > Water-Ring Pumps EVE-WR > EVE-WR 25 AC3

## Water-ring pump, wear-free, robust, requires little maintenance



Suction rate: 25 m<sup>3</sup>/h  
Current type: 3-phase AC  
Noise level: 63 dB  
Voltage (50Hz): 200-240V or 345-420V  
Rated power (50Hz): 0.83 kW  
Rated power (60Hz): 0.83 kW  
Weight: 38 kg

### Design Data



Attribute	Value
-----------	-------

B	432 mm
---	--------

d	14 mm
---	-------

D2	30 mm
----	-------

H	390 mm
---	--------

H1	486 mm
----	--------

L	602 mm
---	--------

X1	345 mm
----	--------

Y1	370 mm
----	--------

### Technical Data

#### Contact to Schmalz

J. Schmalz GmbH | Johannes-Schmalz-Straße, 72293 Glatten, Deutschland | +49 7443 2403-102 | [customercenter@schmalz.de](mailto:customercenter@schmalz.de)

Attribute	Value
Vacuum (max)	-930 mbar
Vacuum (max)	-27.462 inHg
Suction rate (50 Hz)	25 m³/h
Voltage (50 Hz)	200-240V or 345-420V
Voltage (60 Hz)	200-275V or 345-480V
Rated power (50 Hz)	0.83 kW
Rated power (60 Hz)	0.83 kW
Noise level (50 Hz)	63 dB
Weight	38 kg
Protection	IP 54
Current type	AC3

## Accessories



### MSS-K 2.5-4A

Part no. 10.04.04.00120

Motor-protection switch with housing

Current range: 2.5 ... 4.0 A

Actuation: Rotary switch

Colour: grey

Protection: IP 65