

Vacuum pump EVE-TR-X 10 AC3 F

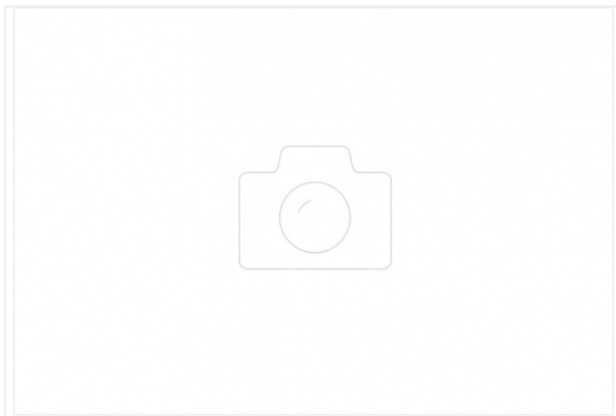
Part no.: 10.03.01.00210

<https://www.schmalz.com/10.03.01.00210>



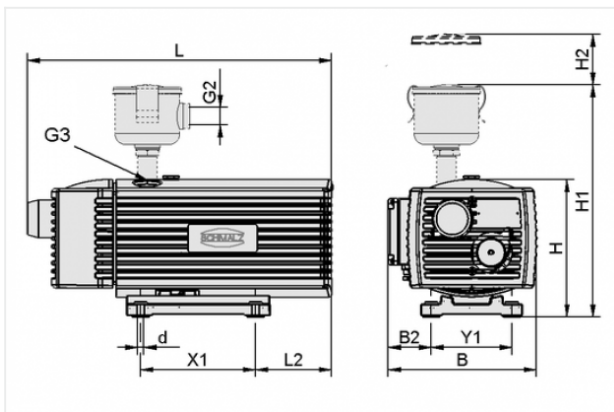
Homepage > Vacuum Technology for Automation > Vacuum Components > Vacuum Generators > Vacuum Pumps > Dry-Running Vacuum Pumps
EVE-TR X > EVE-TR-X 10 AC3 F

Oil-free pump with const. suct. rate robust, requ. little maintenance long service life, cont. operation



Current type: 3-phase AC
 Noise level (50 Hz): 60 dB
 Voltage (50 Hz): 175-260/300-450V AC3
 Voltage (60 Hz): 202-300/350-520V AC3
 with: Filter
 Suction rate (50 Hz): 10 m³/h
 Suction rate (60 Hz): 12 m³/h
 Vacuum (50Hz): -850 mbar
 Rated power (50 Hz): 0.37 kW
 Rated power (60 Hz): 0.45 kW
 Weight: 23 kg

Design Data



Attribute	Value
B	206 mm
B2	60 mm
d	7 mm
G2	G3/4"-F
G3	G1/2"-F
H	189 mm
H1	325 mm
H2	70 mm
L	429 mm
L2	106 mm
X1	160 mm

Contact to Schmalz

J. Schmalz GmbH | Johannes-Schmalz-Straße, 72293 Glatten, Deutschland | +49 7443 2403-102 | customercenter@schmalz.de

Attribute	Value
Y1	112 mm

Technical Data

Attribute	Value
Suction rate (50 Hz)	10 m ³ /h
Suction rate (60 Hz)	12 m ³ /h
Voltage (50 Hz)	175-260/300-450V AC3
Voltage (60 Hz)	202-300/350-520V AC3
Rated power (50 Hz)	0.37 kW
Rated power (60 Hz)	0.45 kW
Noise level (50 Hz)	60 dB
Weight	23 kg
Protection	IP 54
Current type	AC3

Accessories



FILT-EINS 3 65x70 PAP STF-3/4-IG

Part no. 10.07.01.00017

Filter insert (round)

Filter pore size: 3 µm

External diameter D: 65 mm

Length L: 70 mm

Filter material: Paper

for: Filters STF

Size: 3/4-IG

Contact to Schmalz

