

Vacuum pump EVE-TR-X 10 AC3

Part no.: 10.03.01.00209

<https://www.schmalz.com/10.03.01.00209>



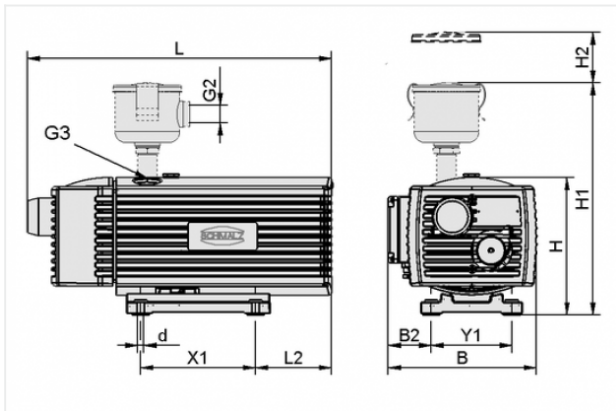
Homepage > Vacuum Technology for Automation > Vacuum Components > Vacuum Generators > Vacuum Pumps > Dry-Running Vacuum Pumps
EVE-TR X > EVE-TR-X 10 AC3

Oil-free pump with const. suct. rate robust, requ. little maintenance long service life, cont. operation



Current type: 3-phase AC
Noise level (50 Hz): 60 dB
Voltage (50 Hz): 175-260/300-450V AC3
Voltage (60 Hz): 202-300/350-520V AC3
Suction rate (50 Hz): 10 m³/h
Suction rate (60 Hz): 12 m³/h
Vacuum (50Hz): -850 mbar
Rated power (50 Hz): 0.37 kW
Rated power (60 Hz): 0.45 kW
Weight: 16 kg

Design Data



Attribute	Value
B	206 mm
B2	60 mm
d	7 mm
G3	G1/2"-F
H	189 mm
L	429 mm
L2	106 mm
X1	160 mm
Y1	112 mm

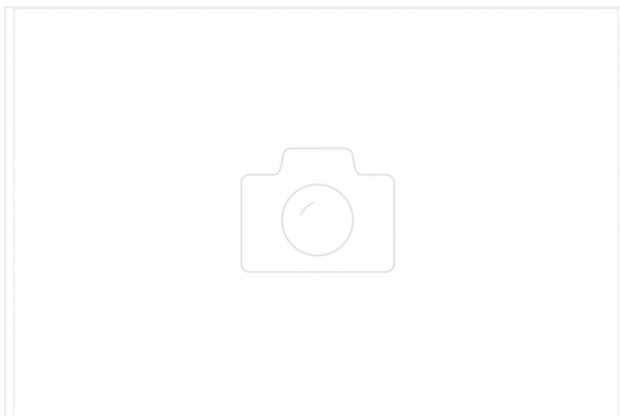
Contact to Schmalz

J. Schmalz GmbH | Johannes-Schmalz-Straße, 72293 Glatten, Deutschland | +49 7443 2403-102 | customercenter@schmalz.de

Technical Data

Attribute	Value
Suction rate (50 Hz)	10 m ³ /h
Suction rate (60 Hz)	12 m ³ /h
Voltage (50 Hz)	175-260/300-450V AC3
Voltage (60 Hz)	202-300/350-520V AC3
Rated power (50 Hz)	0.37 kW
Rated power (60 Hz)	0.45 kW
Noise level (50 Hz)	60 dB
Weight	16 kg
Protection	IP 54
Current type	AC3

Accessories



VBV -950...0 G1-AG EVE 10-40

Part no. 10.03.01.00136

Vacuum valve for limiting the maximum vacuum pressure

Vacuum range: -950 ... 0 mbar

Thread G1: G1"-M

Length L: 53.5 mm

for: Pump EVE

Size: 10-40