

Compact ejector SMP 25 NC AS

<https://www.schmalz.com/10.02.02.00582>



Part no.: 10.02.02.00582

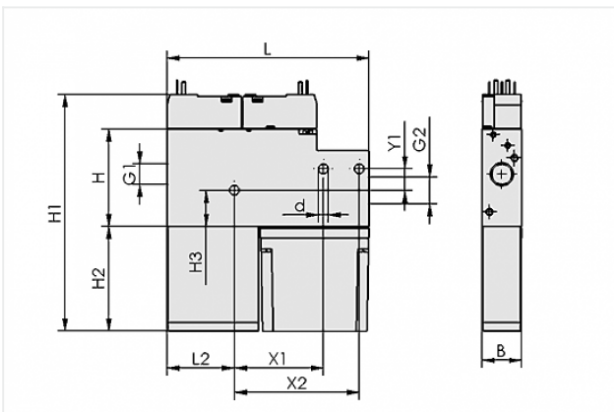
Homepage > Vacuum Technology for Automation > Vacuum Components > Vacuum Generators > Compact Ejectors > Compact Ejectors SCP / SMP > SMP 25 NC AS

Compact ejector MEGA PUMP with power blow-off function



Nozzle size: 2,5 mm
Suction rate (max): 161 l/min
Air consumption (during evac.):
310 l/min
Control: Normally closed
Shape: With blow-off system

Design Data



Attribute	Value
-----------	-------

B	22 mm
d	5.5 mm
G1	G1/4"-F
G2	G3/8"-F
H	54 mm
H1	147.5 mm
H2	73.5 mm
H3	20.1 mm
L	112.5 mm
L2	37.5 mm
X1	49.5 mm
X2	69.5 mm
Y1	12 mm

Contact to Schmalz

J. Schmalz GmbH | Johannes-Schmalz-Straße, 72293 Glatten, Deutschland | +49 7443 2403-102 | customercenter@schmalz.de

Technical Data

Attribute	Value
Nozzle diameter	2.5 mm
Degree of evacuation	85 %
Suction rate (max)	161 l/min
Suction rate (max)	9.7 m ³ /h
Air consumption (during evac.)	310 l/min
Air consumption (during evac.)	18.6 m ³ /h
Air consumption (blow off) (max)	220 l/min
Noise level (workp. gripped)	72 dB
Noise level (free)	82 dB
Pressure range (operating pressure)	5.0 ... 6.0 bar
Int. hose diameter (recom.) comp.-air	6 mm
Int. hose diameter (recom.) vacuum side	9 mm
Ambient temperature	0 ... 45 °C
Control	Normally closed
Pressure range (operating pressure)	72.5 ... 87.0 psi
Suction rate (max)	5.685 cfm
Air consumption (during evac.)	10.947 cfm
Air consumption (blow off)	7.769 cfm
Product family	SMP

Note:

- The supply voltage for vacuum switches and solenoid valves is 24V DC
- Air consumption: At optimal operating pressure
- Hose diameter: For max. length 2 m

Spare Parts



SD 50.5x21x68.5 SMP/SCP25/30

Part no. 10.02.02.00652

Silencer for vacuum generators

Length L: 50.5 mm

Width B: 21 mm

Height H: 68.5 mm

for: Compact ejectors SMP/SCP



FILT-EINS 14x49 PE-POR SCP-SMP

Part no. 10.02.02.00654

Filter insert (round)

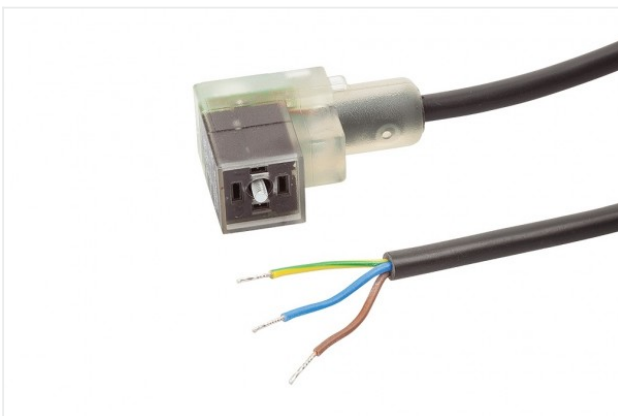
External diameter D: 14 mm

Length L: 49 mm

Filter material: Polyethylene

for: Compact ejectors

Accessories



ASK B-Form-C 5000 K-3P

Part no. 21.04.06.00084

Connection cable

Interface Connection 1:

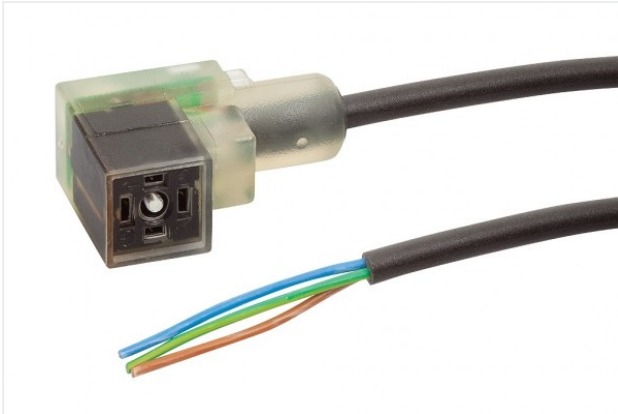
Fem connect Form C

Cable length: 5000 mm

Interface Connection 2: Cable 3

Material: PVC-Cable

Shape: LED display



ASK 10000 K-3P

Part no. 21.04.06.00118

Connection cable

Cable length: 10000 mm

Interface Connection 2: Cable 3

Material: PUR-Cable

Shape: LED display



ASS B-C SK

Part no. 21.04.06.00085

Connection plug

Interface Connection 1:

Socket DIN 175301-803A

Electrical connection: Screw contact