

# Compact ejector

## SCP 10 NO AS VE

<https://www.schmalz.com/10.02.02.00605>



Part no.: 10.02.02.00605

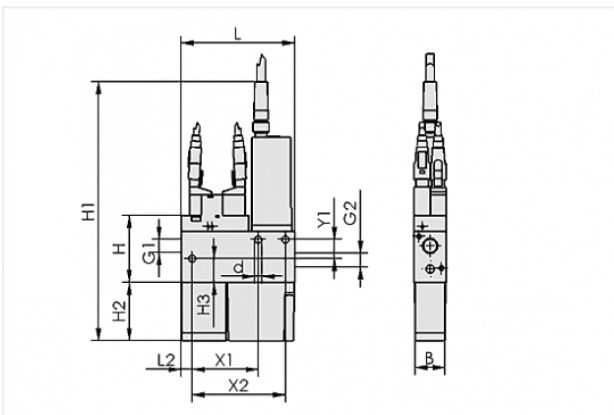
Homepage > Vacuum Technology for Automation > Vacuum Components > Vacuum Generators > Compact Ejectors > Compact Ejectors SCP / SMP > SCP 10 NO AS VE

### Compact ejector with integrated functions



Nozzle size: 1,0 mm  
 Suction rate (max): 37 l/min  
 Air consumption (during evac.): 53 l/min  
 Control: Normally open  
 Shape: With blow-off system with: electronic vacuum switch

### Design Data



Attribute	Value
B	20.2 mm
d	4.5 mm
G1	G1/8"-F
G2	G1/8"-F
H	42.2 mm
H1	147.5 mm
H2	36.5 mm
H3	15 mm
L	71.5 mm
L2	7 mm
X1	41.5 mm
X2	58.5 mm
Y1	12 mm

### Contact to Schmalz

J. Schmalz GmbH | Johannes-Schmalz-Straße, 72293 Glatten, Deutschland | +49 7443 2403-102 | [customercenter@schmalz.de](mailto:customercenter@schmalz.de)

## Technical Data

Attribute	Value
Nozzle diameter	1 mm
Degree of evacuation	85 %
Suction rate (max)	37 l/min
Suction rate (max)	2.2 m <sup>3</sup> /h
Air consumption (during evac.)	53 l/min
Air consumption (during evac.)	3.2 m <sup>3</sup> /h
Air consumption (blow off) (max)	200 l/min
Noise level (workp. gripped)	66 dB
Noise level (free)	68 dB
Pressure optimal	5 bar
Int. hose diameter (recom.) comp.-air	2 mm
Int. hose diameter (recom.) vacuum side	4 mm
Weight	0.275 kg
Ambient temperature	0 ... 45 °C
Control	Normally open
Pressure optimal	72.5 psi
Suction rate (max)	1.306 cfm
Air consumption (during evac.)	1.871 cfm
Air consumption (blow off)	7.062 cfm
Product family	SCP

### Note:

- The supply voltage for vacuum switches and solenoid valves is 24V DC
- Air consumption: At optimal operating pressure
- Hose diameter: For max. length 2 m

### Contact to Schmalz

## Spare Parts



### **SD 28x19x31.5 SCP10/15**

Part no. 10.02.02.00653

Silencer for vacuum generators

Length L: 28 mm

Width B: 19 mm

Height H: 31.5 mm

for: Compact ejectors SCP



### **FILT-EINS 13x33 PE-POR SCP**

Part no. 10.02.02.00655

Filter insert (round)

External diameter D: 13 mm

Length L: 33 mm

Filter material: Polyethylene

for: Compact ejectors SCP

## Accessories



### **ASV-I SCP(M)-10-15-NO 500**

Part no. 10.02.02.01679

Connection distributor

for: Ejector SCP(M) 10-15 NO

Length L: 5000 mm

Blow-off time: 500 ms



**ASV-IR SCP(M)-10-15-NO 500**

Part no. 10.02.02.01690

Connection distributor

for: Ejector SCP(M) 10-15 NO

Length L: 5000 mm

Blow-off time: 500 ms



**ASK B-M8-4 5000 K-4P**

Part no. 10.06.02.00031

Connection cable

Interface Connection cable:

Fem connect M8, 4 pol

Cable length: 5000 mm

Interface Connection cable: Cable 4

Material: PUR-Cable



**ASK WB-M8-4 5000 K-4P**

Part no. 10.06.02.00032

Connection cable

Interface Connection cable:

Elbow fem con M8, 4 pol

Cable length: 5000 mm

Interface Connection cable: Cable 4

Material: PUR-Cable