

Hose clamp

SSD 35-40 ST-VZ

Part no.: 10.07.10.00018

<https://www.schmalz.com/10.07.10.00018>



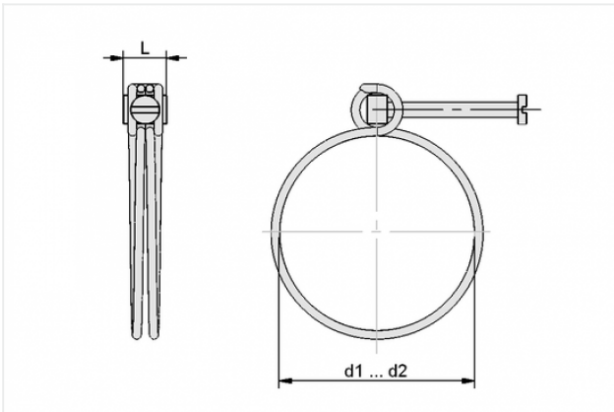
Homepage > Vacuum Technology for Automation > Vacuum Components > Filters and Connections > Hoses and Connectors > Hose Clamps SSB / SSD > SSD 35-40 ST-VZ

Hose clamp for securing wire-reinforced hoses



Clamping range: 35.0 ... 40.0 mm
Material: Steel
Surface: galvanised

Design Data



Attribute	Value
d1	35 mm
d2	40 mm
L	13 mm

Technical Data

Attribute	Value
Clamping range	35.0 ... 40.0 mm
Material	Steel

Contact to Schmalz

J. Schmalz GmbH | Johannes-Schmalz-Straße, 72293 Glatten, Deutschland | +49 7443 2403-102 | customercenter@schmalz.de

Attribute	Value
Surface	galvanised
Weight	17 g

Accessories



VSL 41-35 PVC-PS

Part no. 10.07.09.00010

Hose for vacuum and compressed-air systems

External diameter D: 41 mm

Internal diameter d: 35 mm

Length (max): 50 m

Material: PVC, with PVC spiral

Installation radius (min): 65 mm

Pressure range (operating pressure):

-0.50 ... 0.50 bar

Ambient temperature: -20 ... 70 °C