

Hose clamp

SSD 38-43 ST-VZ

Part no.: 10.07.10.00019

<https://www.schmalz.com/10.07.10.00019>



Homepage > Vacuum Technology for Automation > Vacuum Components > Filters and Connections > Hoses and Connectors > Hose Clamps SSB / SSD > SSD 38-43 ST-VZ

Hose clamp for securing wire-reinforced hoses

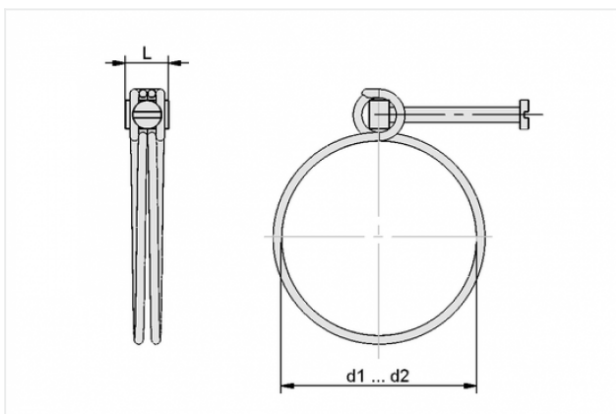


Clamping range: 38.0 ... 43.0 mm

Material: Steel

Surface: galvanised

Design Data



Attribute	Value
-----------	-------

d1	38 mm
----	-------

d2	43 mm
----	-------

L	13 mm
---	-------

Technical Data

Attribute	Value
-----------	-------

Clamping range	38.0 ... 43.0 mm
----------------	------------------

Material	Steel
----------	-------

Contact to Schmalz

J. Schmalz GmbH | Johannes-Schmalz-Straße, 72293 Glatten, Deutschland | +49 7443 2403-102 | customercenter@schmalz.de

Attribute	Value
Surface	galvanised
Weight	17 g

Accessories



VSL 41-35 PVC-PS

Part no. 10.07.09.00010

Hose for vacuum and compressed-air systems

External diameter D: 41 mm

Internal diameter d: 35 mm

Length (max): 50 m

Material: PVC, with PVC spiral

Installation radius (min): 65 mm

Pressure range (operating pressure):

-0.50 ... 0.50 bar

Ambient temperature: -20 ... 70 °C



VSL 42-32 PU-DS

Part no. 10.07.09.00036

Hose for vacuum and compressed-air systems

External diameter D: 42 mm

Internal diameter d: 32 mm

Length (max): 10 m

Material: PU, with wire spiral

Installation radius (min): 95 mm

Pressure range (operating pressure):

-0.95 ... 3.20 bar

Ambient temperature: -20 ... 90 °C