

Hose clamp

SSD 28-32 ST-VZ

Part no.: 10.07.10.00087

<https://www.schmalz.com/10.07.10.00087>



Homepage > Vacuum Technology for Automation > Vacuum Components > Filters and Connections > Hoses and Connectors > Hose Clamps SSB / SSD > SSD 28-32 ST-VZ

Hose clamp for securing wire-reinforced hoses

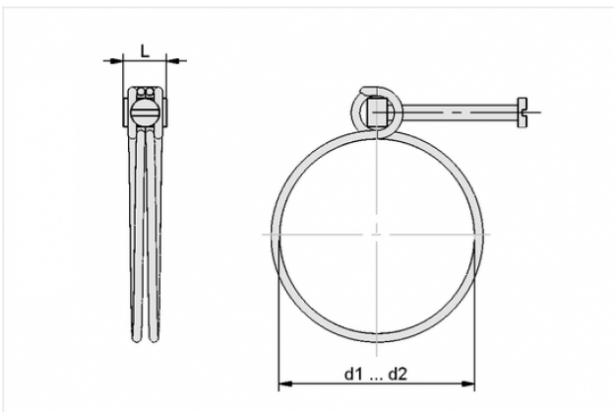


Clamping range: 28.0 ... 32.0 mm

Material: Steel

Surface: galvanised

Design Data



Attribute	Value
-----------	-------

d1	28 mm
----	-------

d2	32 mm
----	-------

L	12 mm
---	-------

Technical Data

Attribute	Value
-----------	-------

Clamping range	28.0 ... 32.0 mm
----------------	------------------

Material	Steel
----------	-------

Contact to Schmalz

J. Schmalz GmbH | Johannes-Schmalz-Straße, 72293 Glatten, Deutschland | +49 7443 2403-102 | customercenter@schmalz.de

Attribute	Value
Surface	galvanised
Weight	14.5 g

Accessories



VSL 33-25 PU-DS

Part no. 10.07.09.00051

Hose for vacuum and compressed-air systems

External diameter D: 33 mm

Internal diameter d: 25 mm

Length (max): 10 m

Material: PU, with wire spiral

Installation radius (min): 75 mm

Pressure range (operating pressure):

-0.95 ... 4.00 bar

Ambient temperature: -40 ... 90 °C