

# Hose clamp

## SSD 24-27 ST-VZ

Part no.: 10.07.10.00086

<https://www.schmalz.com/10.07.10.00086>



Homepage > Vacuum Technology for Automation > Vacuum Components > Filters and Connections > Hoses and Connectors > Hose Clamps SSB / SSD > SSD 24-27 ST-VZ

## Hose clamp for securing wire-reinforced hoses

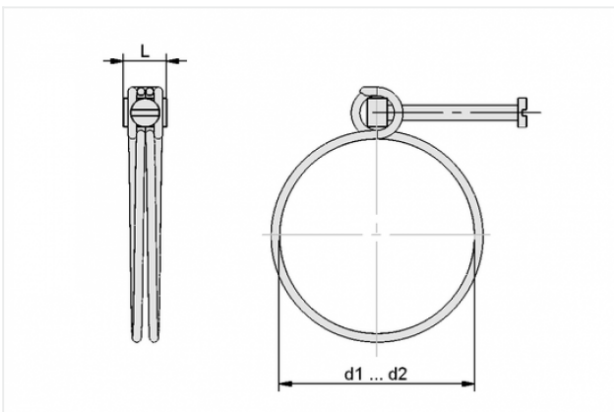


Clamping range: 24.0 ... 27.0 mm

Material: Steel

Surface: galvanised

### Design Data



Attribute	Value
-----------	-------

d1	24 mm
----	-------

d2	27 mm
----	-------

L	12 mm
---	-------

### Technical Data

Attribute	Value
-----------	-------

Clamping range	24.0 ... 27.0 mm
----------------	------------------

Material	Steel
----------	-------

### Contact to Schmalz

J. Schmalz GmbH | Johannes-Schmalz-Straße, 72293 Glatten, Deutschland | +49 7443 2403-102 | [customercenter@schmalz.de](mailto:customercenter@schmalz.de)

Attribute	Value
Surface	galvanised
Weight	13.5 g

## Accessories



### VSL 27-20 PU-DS

Part no. 10.07.09.00047

Hose for vacuum and compressed-air systems

External diameter D: 27 mm

Internal diameter d: 20 mm

Length (max): 10 m

Material: PU, with wire spiral

Installation radius (min): 70 mm

Pressure range (operating pressure):

-0.95 ... 4.00 bar

Ambient temperature: -20 ... 90 °C