

# Vacuum gauge

## VAM 40 V DR

Part no.: 10.07.02.00035

<https://www.schmalz.com/10.07.02.00035>



Homepage > Vacuum Technology for Automation > Vacuum Components > Switches and System Monitoring > Measuring and Control Devices >

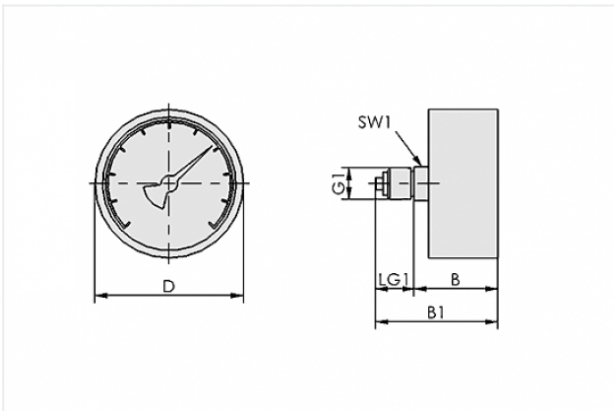
Manometers VAM > VAM 40 V DR

## Vacuum gauge (manometer) for analogue measurement and monitoring of the vacuum



External diameter D: 40 mm  
Measuring range: -1.00 ... 0.00 bar  
Shape: With sealing ring  
Vacuum connection: G1/8"-M

### Design Data



Attribute	Value
-----------	-------

B	30 mm
---	-------

B1	40 mm
----	-------

D	40 mm
---	-------

G1	G1/8"-M
----	---------

LG1	8.5 mm
-----	--------

SW1	12 mm
-----	-------

### Technical Data

Attribute	Value
-----------	-------

Shape	With sealing ring
-------	-------------------

### Contact to Schmalz

J. Schmalz GmbH | Johannes-Schmalz-Straße, 72293 Glatten, Deutschland | +49 7443 2403-102 | [customercenter@schmalz.de](mailto:customercenter@schmalz.de)



Attribute	Value
Operating pressure	-1...0 bar
Weight	79 g

---

---