

# Reduction piece with hexagon

<https://www.schmalz.com/10.08.04.00096>



## RED-STK G1/2-AG G3/8-IG MS-V

Part no.: 10.08.04.00096

Homepage > Vacuum Technology for Automation > Vacuum Components > Filters and Connections > Hoses and Connectors > Accessories for

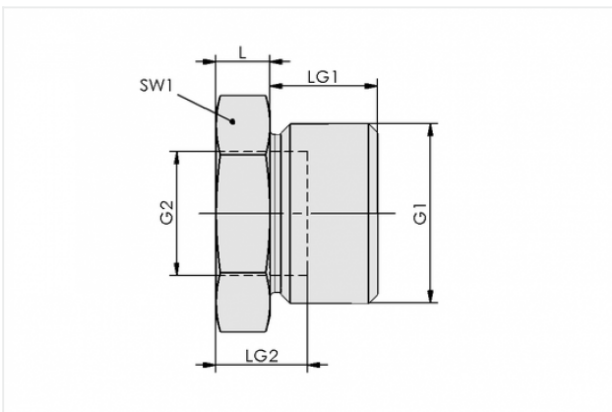
Screw Unions > RED-STK G1/2-AG G3/8-IG MS-V

## Reduction piece with hexagon



Thread G1: G1/2-M  
Thread G2: G3/8-F  
Length L: 6 mm  
Material: Brass  
Surface: nickel plated

## Design Data



Attribute	Value
-----------	-------

G1	G1/2"-M
----	---------

G2	G3/8"-F
----	---------

L	6 mm
---	------

LG1	12 mm
-----	-------

SW1	24 mm
-----	-------

## Contact to Schmalz

J. Schmalz GmbH | Johannes-Schmalz-Straße, 72293 Glatten, Deutschland | +49 7443 2403-102 | [customercenter@schmalz.de](mailto:customercenter@schmalz.de)