

# Plug connector, T SVB-T 12

<https://www.schmalz.com/10.09.02.00023>



Part no.: 10.09.02.00023

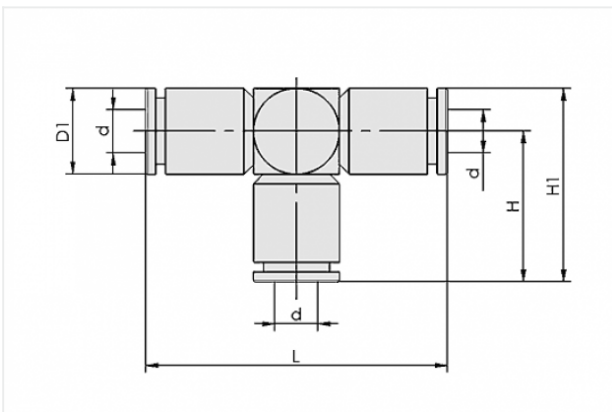
Homepage > Vacuum Technology for Automation > Vacuum Components > Filters and Connections > Hoses and Connectors > Screw in Push Fittings > SVB-T 12

## Plug connection, T



External hose diameter: 12 mm  
Length: 69 mm  
Material: Brass  
Surface: nickel plated

## Design Data



Attribute	Value
-----------	-------

d	12 mm
D1	19.9 mm
H	34 mm
H1	44 mm
L	69 mm

## Technical Data

Attribute	Value
Hose type	12-9
Material	Brass

### Contact to Schmalz

J. Schmalz GmbH | Johannes-Schmalz-Straße, 72293 Glatten, Deutschland | +49 7443 2403-102 | [customercenter@schmalz.de](mailto:customercenter@schmalz.de)

Attribute	Value
Surface	nickel plated
Pressure range (operating pressure)	-0.95 ... 15.00 bar
Ambient temperature	-20 ... 80 °C
for	Hose D = 12 d = 9
Weight	115 g

## Accessories



### VSL 12-9 PE

Part no. 10.07.09.00050

Hose for vacuum and compressed-air systems

External diameter D: 12 mm

Internal diameter d: 9 mm

Length (max): 100 m

Material: PE

Installation radius (min): 70 mm

Pressure range (operating pressure):

-0.95 ... 10.00 bar

Ambient temperature: -20 ... 70 °C



### VSL 12-9 PU

Part no. 10.07.09.00037

Hose for vacuum and compressed-air systems

External diameter D: 12 mm

Internal diameter d: 9 mm

Length (max): 50 m

Material: PU

Installation radius (min): 70 mm

Pressure range (operating pressure):

-0.95 ... 10.00 bar

Ambient temperature: -20 ... 90 °C