

Plug connector, T SVB-T 8

<https://www.schmalz.com/10.09.02.00022>



Part no.: 10.09.02.00022

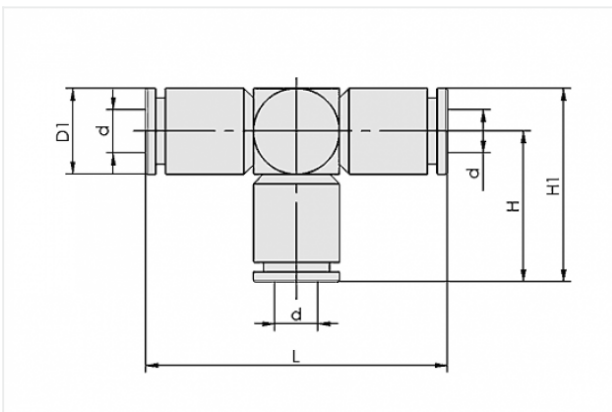
Homepage > Vacuum Technology for Automation > Vacuum Components > Filters and Connections > Hoses and Connectors > Screw in Push Fittings > SVB-T 8

Plug connection, T



External hose diameter: 8 mm
Length: 49 mm
Material: Brass
Surface: nickel plated

Design Data



Attribute	Value
-----------	-------

d	8 mm
---	------

D1	14.4 mm
----	---------

H	24.7 mm
---	---------

H1	31.9 mm
----	---------

L	49 mm
---	-------

Technical Data

Attribute	Value
-----------	-------

Hose type	8-6
-----------	-----

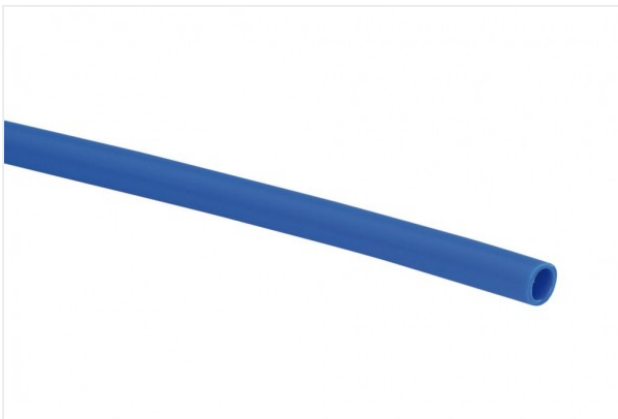
Material	Brass
----------	-------

Contact to Schmalz

J. Schmalz GmbH | Johannes-Schmalz-Straße, 72293 Glatten, Deutschland | +49 7443 2403-102 | customercenter@schmalz.de

Attribute	Value
Surface	nickel plated
Pressure range (operating pressure)	-0.95 ... 15.00 bar
Ambient temperature	-20 ... 80 °C
for	Hose D = 8 d = 6
Weight	43 g

Accessories



VSL 8-6 PE

Part no. 10.07.09.00015

Hose for vacuum and compressed-air systems

External diameter D: 8 mm

Internal diameter d: 6 mm

Length (max): 100 m

Material: PE

Installation radius (min): 45 mm

Pressure range (operating pressure):

-0.95 ... 10.00 bar

Ambient temperature: -30 ... 70 °C



VSL 8-6 PU

Part no. 10.07.09.00003

Hose for vacuum and compressed-air systems

External diameter D: 8 mm

Internal diameter d: 6 mm

Length (max): 500 m

Material: PU

Installation radius (min): 45 mm

Pressure range (operating pressure):

-0.95 ... 10.00 bar

Ambient temperature: -20 ... 90 °C