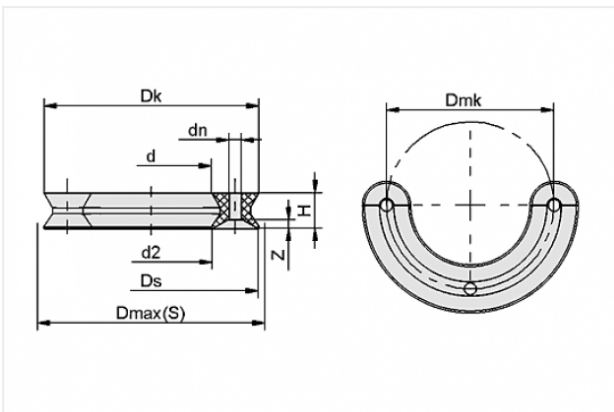


Shell suction cup for handling CDs/DVDs



Size: 36
 Suction cup material: Silicone SI
 Material hardness: 35 °Sh

Design Data



Attribute	Value
d	20 mm
d2	20 mm
Dk	36 mm
dn	2 mm
Dmax(S)	36.5 mm
D mk	28 mm
Ds	36 mm
H	6 mm
Z	1.5 mm

Technical Data

Attribute	Value
Size	36
Suction cup material	Silicone SI
Suction force	24.1 N
Weight	1.6 g
Product family	SGH
