

Shell suction cup for handling CDs/DVDs

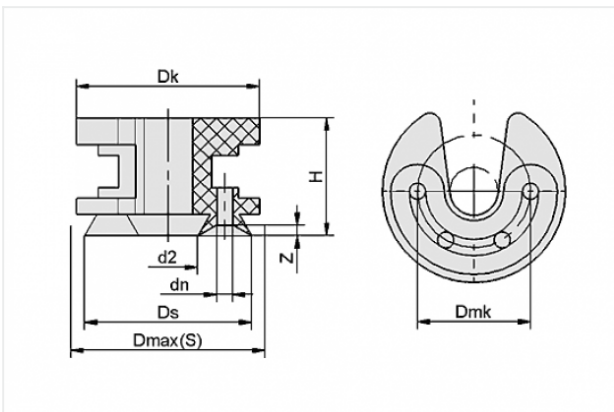


Size: 17

Suction cup material: Silicone SI

Material hardness: 35 °Sh

Design Data



Attribute	Value
d2	5.5 mm
Dk	16 mm
dn	1.5 mm
Dmax(S)	17 mm
D mk	10.5 mm
Ds	15.5 mm
H	11 mm
Z	1 mm

Technical Data

Attribute	Value
Size	17



Attribute	Value
Suction cup material	Silicone SI
Suction force	11 N
Weight	1.1 g
Product family	SGH