

Suction ring

SGR 31 SI-55

<https://www.schmalz.com/10.01.01.10006>



Part no.: 10.01.01.10006

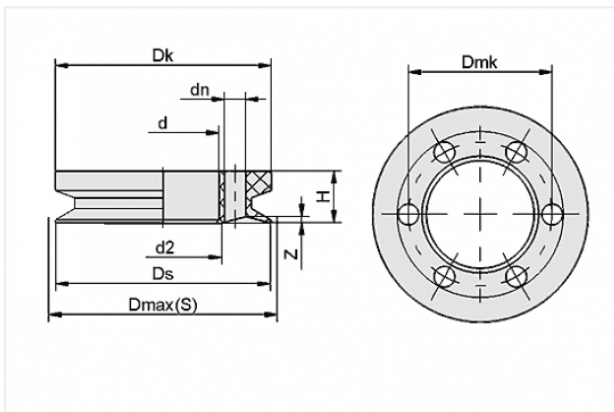
Homepage > Vacuum Technology for Automation > Vacuum Components > Vacuum Suction Cups > Suction Cups for Handling CDs/DVDs > Suction Cups SGR and SGH > SGR 31 SI-55

Annular suction cup for handling CDs/DVDs



Size: 31
Suction cup material: Silicone SI
Material hardness: 55 °Sh

Design Data



Attribute	Value
-----------	-------

d	20.1 mm
---	---------

d2	17.8 mm
----	---------

Dk	31 mm
----	-------

dn	1.8 mm
----	--------

Dmax(S)	31.5 mm
---------	---------

D mk	24.5 mm
------	---------

Ds	31 mm
----	-------

H	6 mm
---	------

Z	1.4 mm
---	--------

Contact to Schmalz

J. Schmalz GmbH | Johannes-Schmalz-Straße, 72293 Glatten, Deutschland | +49 7443 2403-102 | customercenter@schmalz.de

Technical Data

Attribute	Value
Size	31
Suction cup material	Silicone SI
Suction force	28.2 N
Weight	1.8 g
Product family	SGR
