

# Suction ring SGR 24 G SI-40

Part no.: 10.01.01.00773

<https://www.schmalz.com/10.01.01.00773>



Homepage > Vacuum Technology for Automation > Vacuum Components > Vacuum Suction Cups > Suction Cups for Handling CDs/DVDs > Suction Cups SGR and SGH > SGR 24 G SI-40

## Annular suction cup for handling CDs/DVDs



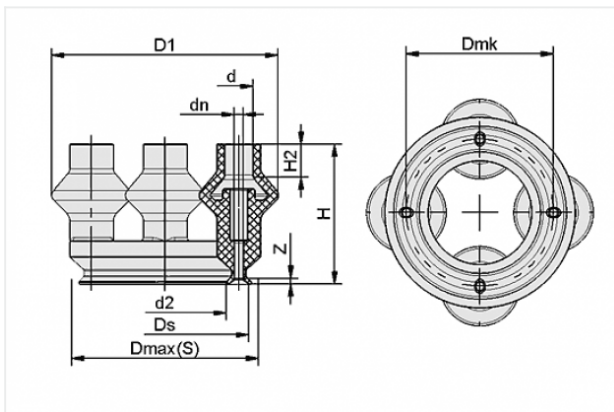
Size: 24

Additional feature: Integrated stroke

Suction cup material: Silicone SI

Material hardness: 40 °Sh

## Design Data



Attribute	Value
-----------	-------

d	4 mm
---	------

d2	17 mm
----	-------

D1	31.5 mm
----	---------

dn	1.2 mm
----	--------

Dmax(S)	24.5 mm
---------	---------

D mk	20.5 mm
------	---------

Ds	24 mm
----	-------

H	19.5 mm
---	---------

H2	4.3 mm
----	--------

Z	0.8 mm
---	--------

## Contact to Schmalz

J. Schmalz GmbH | Johannes-Schmalz-Straße, 72293 Glatten, Deutschland | +49 7443 2403-102 | [customercenter@schmalz.de](mailto:customercenter@schmalz.de)

## Technical Data

Attribute	Value
Size	24
Suction cup material	Silicone SI
Suction force	7 N
Weight	3.7 g
Product family	SGR

---

---