

Bellows suction cup HT1 (round)

<https://www.schmalz.com/10.01.06.02764>



SAB 80 HT1-60 RA

Part no.: 10.01.06.02764

Homepage > Vacuum Technology for Automation > Vacuum Components > Vacuum Suction Cups > Suction Cups for Handling Glass > Bellows

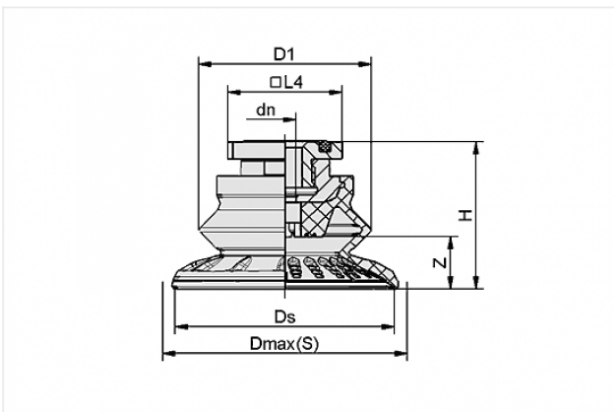
Suction Cups SAB HT1 (1.5 Folds) > SAB 80 HT1-60 RA

Bellows suction cup (round) for markless handling of workpieces



Size: 80
Suction cup material:
High temp material HT1
Material hardness: 60 °Sh
Vacuum connection:
Rectangular adapter
Number of folds: 1.5
Nipple material: Aluminium

Design Data



Attribute	Value
-----------	-------

dn	6 mm
----	------

D1	63.6 mm
----	---------

Dmax(S)	89 mm
---------	-------

Ds	81.1 mm
----	---------

H	49.6 mm
---	---------

L4	31.8 mm
----	---------

Z	22.1 mm
---	---------

Technical Data

Attribute	Value
-----------	-------

Suction force	135 N
---------------	-------

Contact to Schmalz

J. Schmalz GmbH | Johannes-Schmalz-Straße, 72293 Glatten, Deutschland | +49 7443 2403-102 | customercenter@schmalz.de

Attribute	Value
Pull-off force	221 N
Lateral force	145 N
Lateral force (oily surface)	140 N
Volume	56.5 cm ³
Curve radius (min) (convex)	75 mm
Internal hose diameter (recom.)	6 mm
Size	80
Number of folds	1.5
Suction cup material	High temp material HT1
Material hardness	60 °Sh
Weight	72.2 g
Product family	SAB
