

# Bellows suction cup HT1 (round)

<https://www.schmalz.com/10.01.06.02759>



## SAB 50 HT1-60 RA

Part no.: 10.01.06.02759

Homepage > Vacuum Technology for Automation > Vacuum Components > Vacuum Suction Cups > Suction Cups for Handling Glass > Bellows

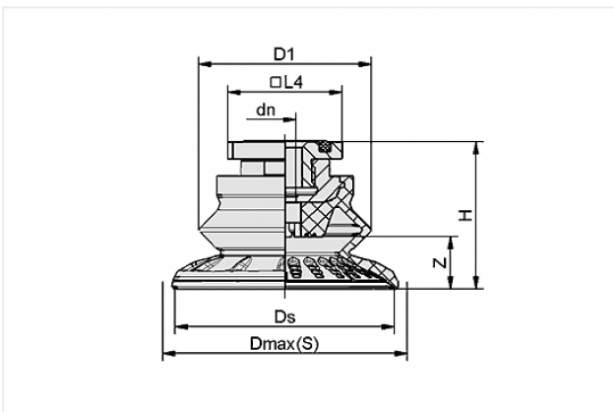
Suction Cups SAB HT1 (1.5 Folds) > SAB 50 HT1-60 RA

## Bellows suction cup (round) for markless handling of workpieces



Size: 50  
Suction cup material:  
High temp material HT1  
Material hardness: 60 °Sh  
Vacuum connection:  
Rectangular adapter  
Number of folds: 1.5  
Nipple material: Aluminium

### Design Data



Attribute	Value
-----------	-------

dn	6 mm
D1	39.5 mm
Dmax(S)	56 mm
Ds	50.1 mm
H	36.6 mm
L4	31.8 mm
Z	11.5 mm

### Technical Data

Attribute	Value
Suction force	53 N

### Contact to Schmalz

J. Schmalz GmbH | Johannes-Schmalz-Straße, 72293 Glatten, Deutschland | +49 7443 2403-102 | [customercenter@schmalz.de](mailto:customercenter@schmalz.de)

<b>Attribute</b>	<b>Value</b>
Pull-off force	87 N
Lateral force	55 N
Lateral force (oily surface)	52 N
Volume	11.5 cm <sup>3</sup>
Curve radius (min) (convex)	50 mm
Internal hose diameter (recom.)	4 mm
Size	50
Number of folds	1.5
Suction cup material	High temp material HT1
Material hardness	60 °Sh
Weight	41.5 g
Product family	SAB

---

---