

# Bellows suction cup HT1 (round)

<https://www.schmalz.com/10.01.06.02757>



## SAB 40 HT1-60 RA

Part no.: 10.01.06.02757

Homepage > Vacuum Technology for Automation > Vacuum Components > Vacuum Suction Cups > Suction Cups for Handling Glass > Bellows

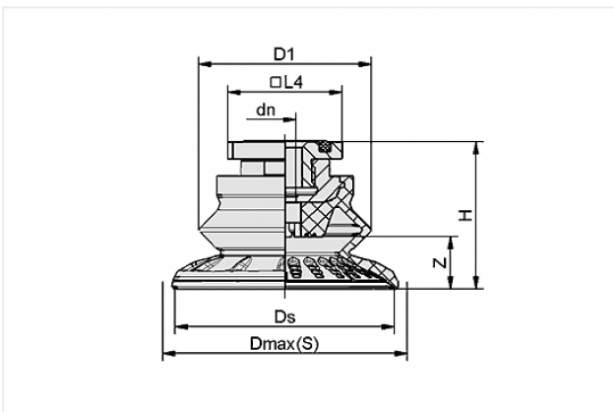
Suction Cups SAB HT1 (1.5 Folds) > SAB 40 HT1-60 RA

## Bellows suction cup (round) for markless handling of workpieces



Size: 40  
Suction cup material:  
High temp material HT1  
Material hardness: 60 °Sh  
Vacuum connection:  
Rectangular adapter  
Number of folds: 1.5  
Nipple material: Aluminium

### Design Data



Attribute	Value
-----------	-------

dn	4 mm
----	------

D1	32 mm
----	-------

Dmax(S)	45 mm
---------	-------

Ds	40.1 mm
----	---------

H	31.2 mm
---	---------

L4	31.8 mm
----	---------

Z	10 mm
---	-------

### Technical Data

Attribute	Value
-----------	-------

Suction force	38 N
---------------	------

### Contact to Schmalz

J. Schmalz GmbH | Johannes-Schmalz-Straße, 72293 Glatten, Deutschland | +49 7443 2403-102 | [customercenter@schmalz.de](mailto:customercenter@schmalz.de)

<b>Attribute</b>	<b>Value</b>
Pull-off force	59 N
Lateral force	36 N
Lateral force (oily surface)	33 N
Volume	7 cm <sup>3</sup>
Curve radius (min) (convex)	40 mm
Internal hose diameter (recom.)	4 mm
Size	40
Number of folds	1.5
Suction cup material	High temp material HT1
Material hardness	60 °Sh
Weight	28 g
Product family	SAB

---

---