

Bellows suction cup HT1 (round)

<https://www.schmalz.com/10.01.06.02724>



SAB 40 HT1-60 G1/4-IG

Part no.: 10.01.06.02724

Homepage > Vacuum Technology for Automation > Vacuum Components > Vacuum Suction Cups > Suction Cups for Handling Glass > Bellows

Suction Cups SAB HT1 (1.5 Folds) > SAB 40 HT1-60 G1/4-IG

Bellows suction cup (round) for markless handling of workpieces



Size: 40

Suction cup material:

High temp material HT1

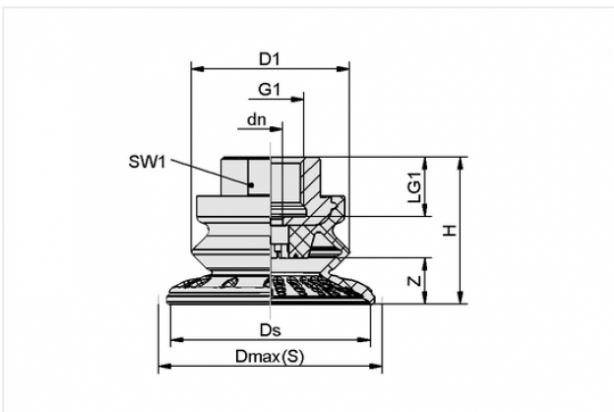
Material hardness: 60 °Sh

Vacuum connection: G1/4-F

Number of folds: 1.5

Nipple material: Aluminium

Design Data



Attribute	Value
-----------	-------

dn	4 mm
----	------

D1	32 mm
----	-------

Dmax(S)	45 mm
---------	-------

Ds	40.1 mm
----	---------

G1	G1/4"-F
----	---------

H	28.8 mm
---	---------

LG1	12 mm
-----	-------

SW1	17 mm
-----	-------

Z	10 mm
---	-------

Contact to Schmalz

J. Schmalz GmbH | Johannes-Schmalz-Straße, 72293 Glatten, Deutschland | +49 7443 2403-102 | customercenter@schmalz.de

Technical Data

Attribute	Value
Suction force	38 N
Pull-off force	59 N
Lateral force	36 N
Lateral force (oily surface)	33 N
Volume	7 cm ³
Curve radius (min) (convex)	40 mm
Internal hose diameter (recom.)	4 mm
Size	40
Number of folds	1.5
Suction cup material	High temp material HT1
Material hardness	60 °Sh
Weight	14.3 g
Product family	SAB
