

Bellows suction cup HT1 (round)

<https://www.schmalz.com/10.01.06.03006>



SAB 22 HT1-60 G3/8-IG

Part no.: 10.01.06.03006

Homepage > Vacuum Technology for Automation > Vacuum Components > Vacuum Suction Cups > Suction Cups for Handling Glass > Bellows

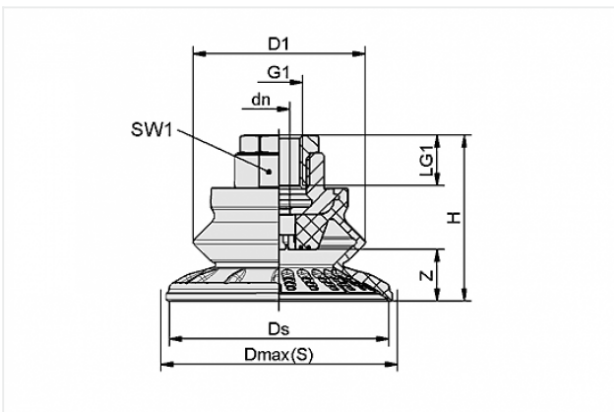
Suction Cups SAB HT1 (1.5 Folds) > SAB 22 HT1-60 G3/8-IG

Bellows suction cup (round) for markless handling of workpieces



Size: 22
Suction cup material:
High temp material HT1
Material hardness: 60 °Sh
Vacuum connection: G3/8-F
Number of folds: 1.5
Nipple material: Brass, nickel-plated

Design Data



Attribute	Value
-----------	-------

dn	3.5 mm
----	--------

D1	22 mm
----	-------

Dmax(S)	24 mm
---------	-------

Ds	20.6 mm
----	---------

G1	G3/8"-F
----	---------

H	41 mm
---	-------

LG1	9.5 mm
-----	--------

SW1	22 mm
-----	-------

Z	5.8 mm
---	--------

Contact to Schmalz

J. Schmalz GmbH | Johannes-Schmalz-Straße, 72293 Glatten, Deutschland | +49 7443 2403-102 | customercenter@schmalz.de

Technical Data

Attribute	Value
Suction force	16 N
Pull-off force	24 N
Lateral force	18 N
Lateral force (oily surface)	6 N
Volume	1.5 cm ³
Curve radius (min) (convex)	20 mm
Internal hose diameter (recom.)	4 mm
Size	22
Number of folds	1.5
Suction cup material	High temp material HT1
Material hardness	60 °Sh
Weight	42.1 g
Product family	SAB