

# Bellows suction cup HT1 (round)

<https://www.schmalz.com/10.01.06.02753>



## SAB 22 HT1-60 G1/4-AG

Part no.: 10.01.06.02753

Homepage > Vacuum Technology for Automation > Vacuum Components > Vacuum Suction Cups > Suction Cups for Handling Glass > Bellows

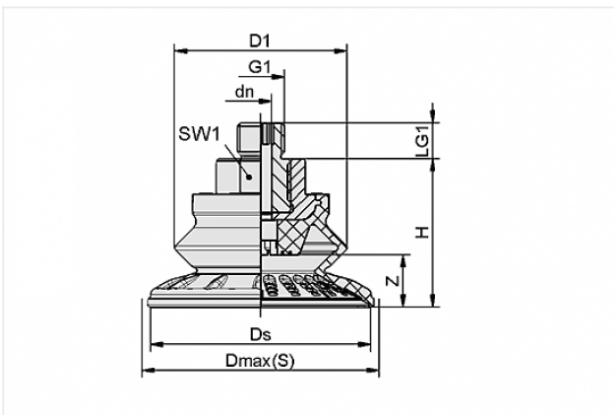
Suction Cups SAB HT1 (1.5 Folds) > SAB 22 HT1-60 G1/4-AG

## Bellows suction cup (round) for markless handling of workpieces



Size: 22  
Suction cup material:  
High temp material HT1  
Material hardness: 60 °Sh  
Vacuum connection: G1/4-M  
Number of folds: 1.5  
Nipple material: Aluminium

### Design Data



Attribute	Value
-----------	-------

dn	3.5 mm
----	--------

D1	22 mm
----	-------

Dmax(S)	24 mm
---------	-------

Ds	20.6 mm
----	---------

G1	G1/4"-M
----	---------

H	25 mm
---	-------

LG1	10 mm
-----	-------

SW1	16 mm
-----	-------

Z	5.8 mm
---	--------

### Contact to Schmalz

J. Schmalz GmbH | Johannes-Schmalz-Straße, 72293 Glatten, Deutschland | +49 7443 2403-102 | [customercenter@schmalz.de](mailto:customercenter@schmalz.de)

## Technical Data

Attribute	Value
Suction force	16 N
Pull-off force	24 N
Lateral force	18 N
Lateral force (oily surface)	6 N
Volume	1.5 cm <sup>3</sup>
Curve radius (min) (convex)	20 mm
Internal hose diameter (recom.)	4 mm
Size	22
Number of folds	1.5
Suction cup material	High temp material HT1
Material hardness	60 °Sh
Weight	7 g
Product family	SAB

---

---