

Suction plate (round) SGF 400 EPDM-55 G1/2-IG

<https://www.schmalz.com/10.01.01.12478>



Part no.: 10.01.01.12478

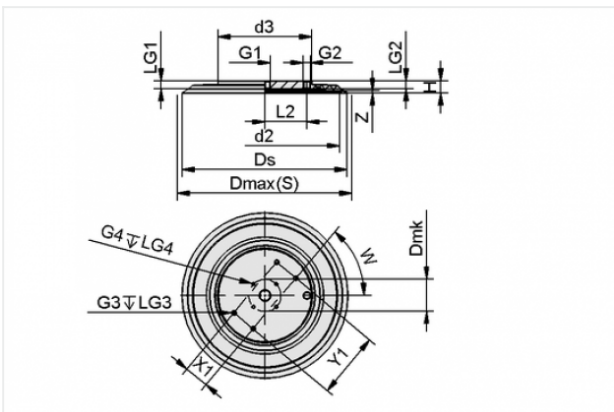
Homepage > Vacuum Technology for Automation > Vacuum Components > Vacuum Suction Cups > SGF 400 EPDM-55 G1/2-IG

Flat suction cup (round) for highly dynamic handling of glass



Size: 400
Suction cup material: EPDM
Material hardness: 55 °Sh
Connection: G1/2"-F

Design Data



Attribute	Value
d2	372.3 mm
d3	170 mm
Dmax(S)	405 mm
Ds	398 mm
G1	G1/2"-F
G2	G1/4"-F
G3	M8-F
H	22.3 mm
L2	76 mm
LG1	14.5 mm
LG2	14.5 mm
LG3	12 mm
W	50 °
X1	45 mm

Contact to Schmalz

J. Schmalz GmbH | Johannes-Schmalz-Straße, 72293 Glatten, Deutschland | +49 7443 2403-102 | customercenter@schmalz.de

Attribute	Value
Y1	120 mm
Z	4.5 mm
D mk	58.3 mm
G4	M6-F
LG4	10.5 mm

Technical Data

Attribute	Value
Suction force	7530 N
Suction force d2	6520 N
Volume	559.522 cm ³
Curve radius (min) (convex)	13500 mm
Internal hose diameter (recom.)	12 mm
Size	400
Number of folds	0
Suction cup material	EPDM
Material hardness	55 °Sh
Weight	2600 g
Product family	SGF

Spare Parts

Contact to Schmalz

**VRS-S G1/4-AG**

Part no. 10.08.06.00048

Sealing screw without collar

Thread 1: G1/4-M

Material: Brass

Surface: nickel plated

Accessories**TV G1/4-AG 13**

Part no. 10.05.10.00061

Touch valve for deactivation of unused suction cups or vacuum blocks

Thread G1: G1/4-M

Spring stroke Z: 13 mm

**SIEB 27x1 MS-A2 100**

Part no. 10.07.01.00110

Screen

External diameter D: 27 mm

Length L: 1 mm

Material: Brass / Stainless steel

Filter pore size: 100 µm



SIEB 19.5x1 MS 100

Part no. 10.07.01.00215

Screen

External diameter D: 19.5 mm

Length L: 1 mm

Material: Brass

Filter pore size: 100 µm



PC 400

Part no. 10.01.01.13093

Cover for suction cup

Size: 400