

Suction plate (round)

SGF-HS 350 HT1-60 G1/2-IG

<https://www.schmalz.com/10.01.01.13154>



Part no.: 10.01.01.13154

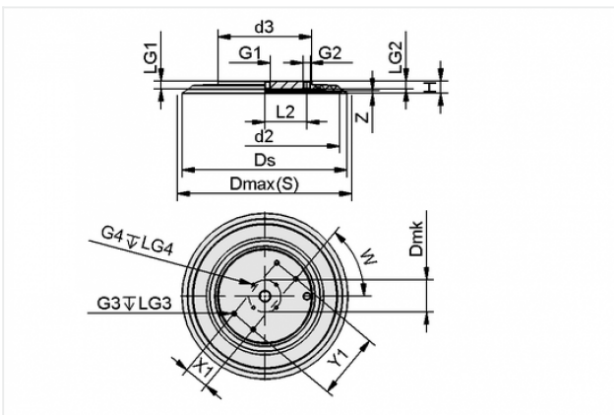
Homepage > Vacuum Technology for Automation > Vacuum Components > Vacuum Suction Cups > Suction Cups for Handling Glass > Suction Plates SGF > SGF-HS 350 HT1-60 G1/2-IG

Flat suction cup (round) for highly dynamic handling of glass



Additional feature: High stroke
 Size: 350
 Suction cup material:
 High temp material HT1
 Material hardness: 60 °Sh
 Connection: G1/2"-F

Design Data



Attribute	Value
d2	317 mm
d3	170 mm
Dmax(S)	360 mm
Ds	348 mm
G1	G1/2"-F
G2	G1/4"-F
G3	M8-F
H	26.8 mm
L2	76 mm
LG1	14.5 mm
LG2	14.5 mm
LG3	12 mm
W	50 °

Contact to Schmalz

J. Schmalz GmbH | Johannes-Schmalz-Straße, 72293 Glatten, Deutschland | +49 7443 2403-102 | customercenter@schmalz.de

Attribute	Value
X1	45 mm
Y1	120 mm
Z	9 mm
D mk	58.3 mm
G4	M6-F
LG4	10.5 mm

Technical Data

Attribute	Value
Suction force	5700 N
Suction force d2	4730 N
Volume	779.435 cm ³
Curve radius (min) (convex)	3000 mm
Internal hose diameter (recom.)	12 mm
Size	350
Number of folds	0
Suction cup material	High temp material HT1
Material hardness	60 °Sh
Weight	2040 g
Product family	SGF

Note:

- Suction force: The specified suction forces are theoretical values at a vacuum of -0.6 bar and with a smooth, dry workpiece surface - they do not include a safety factor
- Pull-off force: The pull-off force of the versions made of natural rubber is reduced by about 40%
- Hose diameter: The recommended hose diameter refers to a hose length of approx. 2 m

Spare Parts



VRS-S G1/4-AG

Part no. 10.08.06.00048

Sealing screw without collar

Thread 1: G1/4-M

Material: Brass

Surface: nickel plated

Accessories



TV G1/4-AG 13

Part no. 10.05.10.00061

Touch valve for deactivation of unused suction cups or vacuum blocks

Thread G1: G1/4-M

Spring stroke Z: 13 mm



SIEB 27x1 MS-A2 100

Part no. 10.07.01.00110

Screen

External diameter D: 27 mm

Length L: 1 mm

Material: Brass / Stainless steel

Filter pore size: 100 µm

**SIEB 19.5x1 MS 100**

Part no. 10.07.01.00215

Screen

External diameter D: 19.5 mm

Length L: 1 mm

Material: Brass

Filter pore size: 100 µm

**PC 350**

Part no. 10.01.01.13092

Cover for suction cup

Size: 350

**SU 360**

Part no. 10.01.01.12842

Cover for suction cup

Size: 360

Clamping range: 360.0 ... 400.0 mm

Temperature resistance: 80 °C