

# Suction plate (round)

## SGF 300 HT1-60 G1/2-IG

<https://www.schmalz.com/10.01.01.13002>



Part no.: 10.01.01.13002

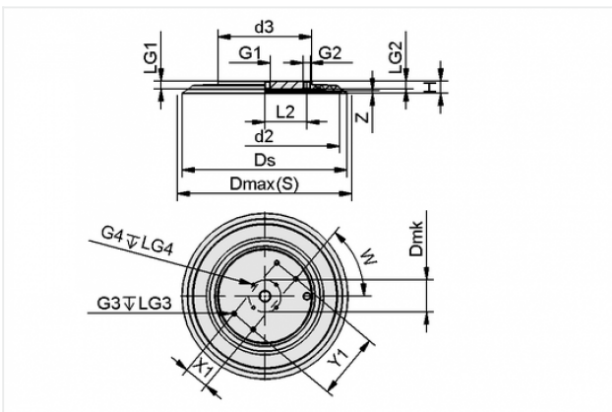
Homepage > Vacuum Technology for Automation > Vacuum Components > Vacuum Suction Cups > Suction Cups for Handling Glass > Suction Plates SGF > SGF 300 HT1-60 G1/2-IG

### Flat suction cup (round) for highly dynamic handling of glass



Size: 300  
 Suction cup material:  
 High temp material HT1  
 Material hardness: 60 °Sh  
 Connection: G1/2"-F

### Design Data



Attribute	Value
d2	272.3 mm
d3	170 mm
Dmax(S)	305 mm
Ds	298 mm
G1	G1/2"-F
G2	G1/4"-F
G3	M8-F
H	22.3 mm
L2	76 mm
LG1	14.5 mm
LG2	14.5 mm
LG3	12 mm
W	50 °

### Contact to Schmalz

J. Schmalz GmbH | Johannes-Schmalz-Straße, 72293 Glatten, Deutschland | +49 7443 2403-102 | [customercenter@schmalz.de](mailto:customercenter@schmalz.de)

Attribute	Value
X1	45 mm
Y1	120 mm
Z	4.5 mm
D mk	58.3 mm
G4	M6-F
LG4	10.5 mm

## Technical Data

Attribute	Value
Suction force	4240 N
Suction force d2	3480 N
Volume	307.586 cm <sup>3</sup>
Curve radius (min) (convex)	7500 mm
Internal hose diameter (recom.)	12 mm
Size	300
Number of folds	0
Suction cup material	High temp material HT1
Material hardness	60 °Sh
Weight	1500 g
Product family	SGF

### Note:

- Suction force: The specified suction forces are theoretical values at a vacuum of -0.6 bar and with a smooth, dry workpiece surface - they do not include a safety factor
- Pull-off force: The pull-off force of the versions made of natural rubber is reduced by about 40%
- Hose diameter: The recommended hose diameter refers to a hose length of approx. 2 m

## Spare Parts



### VRS-S G1/4-AG

Part no. 10.08.06.00048

Sealing screw without collar

Thread 1: G1/4-M

Material: Brass

Surface: nickel plated

## Accessories



### TV G1/4-AG 13

Part no. 10.05.10.00061

Touch valve for deactivation of unused suction cups or vacuum blocks

Thread G1: G1/4-M

Spring stroke Z: 13 mm



### SIEB 27x1 MS-A2 100

Part no. 10.07.01.00110

Screen

External diameter D: 27 mm

Length L: 1 mm

Material: Brass / Stainless steel

Filter pore size: 100 µm

**SIEB 19.5x1 MS 100**

Part no. 10.07.01.00215

Screen

External diameter D: 19.5 mm

Length L: 1 mm

Material: Brass

Filter pore size: 100 µm

**PC 300**

Part no. 10.01.01.13091

Cover for suction cup

Size: 300

**SU 300**

Part no. 10.01.01.12843

Cover for suction cup

Size: 300

Clamping range: 300.0 ... 330.0 mm

Temperature resistance: 80 °C