

Suction plate (round) SGF 300 EPDM-55 G1/2-IG

<https://www.schmalz.com/10.01.01.12477>



Part no.: 10.01.01.12477

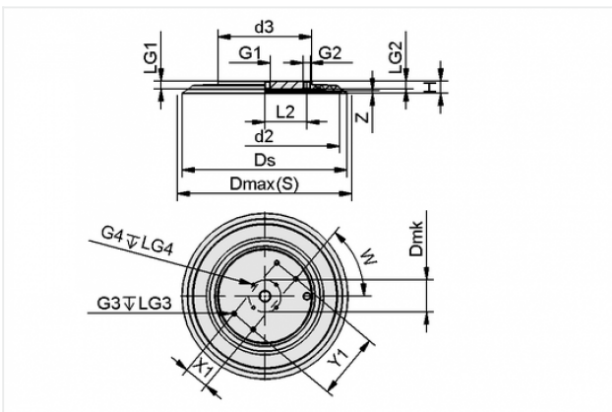
Homepage > Vacuum Technology for Automation > Vacuum Components > Vacuum Suction Cups > Suction Cups for Handling Glass > Suction Plates SGF > SGF 300 EPDM-55 G1/2-IG

Flat suction cup (round) for highly dynamic handling of glass



Size: 300
Suction cup material: EPDM
Material hardness: 55 °Sh
Connection: G1/2"-F

Design Data



Attribute	Value
-----------	-------

d2	272.3 mm
----	----------

d3	170 mm
----	--------

Dmax(S)	305 mm
---------	--------

Ds	298 mm
----	--------

G1	G1/2"-F
----	---------

G2	G1/4"-F
----	---------

G3	M8-F
----	------

H	22.3 mm
---	---------

L2	76 mm
----	-------

LG1	14.5 mm
-----	---------

LG2	14.5 mm
-----	---------

LG3	12 mm
-----	-------

W	50 °
---	------

Contact to Schmalz

J. Schmalz GmbH | Johannes-Schmalz-Straße, 72293 Glatten, Deutschland | +49 7443 2403-102 | customercenter@schmalz.de

Attribute	Value
X1	45 mm
Y1	120 mm
Z	4.5 mm
D mk	58.3 mm
G4	M6-F
LG4	10.5 mm

Technical Data

Attribute	Value
Suction force	4240 N
Suction force d2	3480 N
Volume	307.586 cm ³
Curve radius (min) (convex)	7500 mm
Internal hose diameter (recom.)	12 mm
Size	300
Number of folds	0
Suction cup material	EPDM
Material hardness	55 °Sh
Weight	1500 g
Product family	SGF

Note:

- Suction force: The specified suction forces are theoretical values at a vacuum of -0.6 bar and with a smooth, dry workpiece surface - they do not include a safety factor
- Pull-off force: The pull-off force of the versions made of natural rubber is reduced by about 40%
- Hose diameter: The recommended hose diameter refers to a hose length of approx. 2 m

Spare Parts



VRS-S G1/4-AG

Part no. 10.08.06.00048
Sealing screw without collar
Thread 1: G1/4-M
Material: Brass
Surface: nickel plated

Accessories



TV G1/4-AG 13

Part no. 10.05.10.00061
Touch valve for deactivation of unused suction cups or vacuum blocks
Thread G1: G1/4-M
Spring stroke Z: 13 mm



SIEB 27x1 MS-A2 100

Part no. 10.07.01.00110
Screen
External diameter D: 27 mm
Length L: 1 mm
Material: Brass / Stainless steel
Filter pore size: 100 µm



SIEB 19.5x1 MS 100

Part no. 10.07.01.00215

Screen

External diameter D: 19.5 mm

Length L: 1 mm

Material: Brass

Filter pore size: 100 µm



PC 300

Part no. 10.01.01.13091

Cover for suction cup

Size: 300



SU 300

Part no. 10.01.01.12843

Cover for suction cup

Size: 300

Clamping range: 300.0 ... 330.0 mm

Temperature resistance: 80 °C