

# Suction plate (round) SGF-HS 250 EPDM-55 G1/2-IG

<https://www.schmalz.com/10.01.01.13038>



Part no.: 10.01.01.13038

Homepage > Vacuum Technology for Automation > Vacuum Components > Vacuum Suction Cups > SGF-HS 250 EPDM-55 G1/2-IG

## Flat suction cup (round) for highly dynamic handling of glass



Additional feature: High stroke

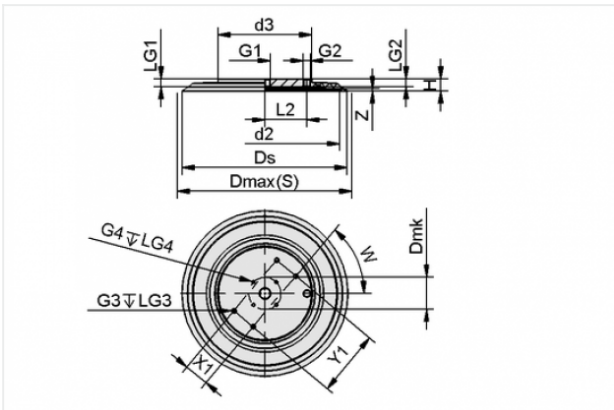
Size: 250

Suction cup material: EPDM

Material hardness: 55 °Sh

Connection: G1/2"-F

### Design Data



Attribute	Value
d2	217 mm
d3	140 mm
Dmax(S)	260 mm
Ds	248 mm
G1	G1/2"-F
G2	G1/4"-F
G3	M8-F
H	26.8 mm
L2	52.5 mm
LG1	14.5 mm
LG2	14.5 mm
LG3	12 mm
W	70 °
X1	45 mm

### Contact to Schmalz

J. Schmalz GmbH | Johannes-Schmalz-Straße, 72293 Glatten, Deutschland | +49 7443 2403-102 | [customercenter@schmalz.de](mailto:customercenter@schmalz.de)

Attribute	Value
Y1	100 mm
Z	9 mm
D mk	58.3 mm
G4	M6-F
LG4	10.5 mm

---

## Technical Data

Attribute	Value
Suction force	2900 N
Suction force d2	2220 N
Volume	372 cm <sup>3</sup>
Curve radius (min) (convex)	1600 mm
Internal hose diameter (recom.)	12 mm
Size	250
Number of folds	0
Suction cup material	EPDM
Material hardness	55 °Sh
Weight	950 g
Product family	SGF

---

## Spare Parts

### Contact to Schmalz



**VRS-S G1/4-AG**

Part no. 10.08.06.00048  
Sealing screw without collar  
Thread 1: G1/4-M  
Material: Brass  
Surface: nickel plated

**Accessories**



**TV G1/4-AG 13**

Part no. 10.05.10.00061  
Touch valve for deactivation of unused suction cups or vacuum blocks  
Thread G1: G1/4-M  
Spring stroke Z: 13 mm



**SIEB 27x1 MS-A2 100**

Part no. 10.07.01.00110  
Screen  
External diameter D: 27 mm  
Length L: 1 mm  
Material: Brass / Stainless steel  
Filter pore size: 100 µm



**SIEB 19.5x1 MS 100**

Part no. 10.07.01.00215

Screen

External diameter D: 19.5 mm

Length L: 1 mm

Material: Brass

Filter pore size: 100 µm



**PC 250**

Part no. 10.01.01.13090

Cover for suction cup

Size: 250



**SU 280**

Part no. 10.01.01.12485

Cover for suction cup

Size: 280

Clamping range: 270.0 ... 300.0 mm

Temperature resistance: 80 °C