

Suction plate (round) SGF 200 EPDM-55 G1/2-IG

<https://www.schmalz.com/10.01.01.12476>



Part no.: 10.01.01.12476

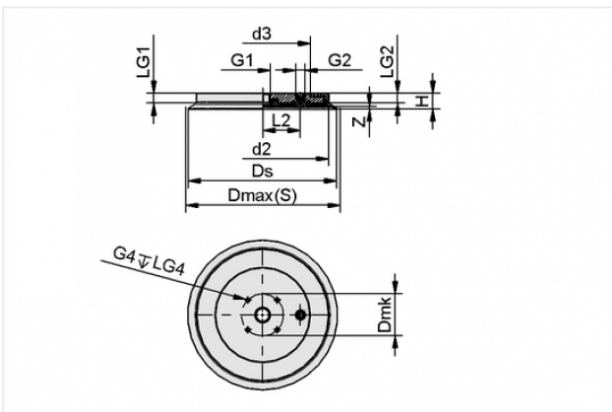
Homepage > Vacuum Technology for Automation > Vacuum Components > Vacuum Suction Cups > Suction Cups for Handling Glass > Suction Plates SGF > SGF 200 EPDM-55 G1/2-IG

Flat suction cup (round) for highly dynamic handling of glass



Size: 200
Suction cup material: EPDM
Material hardness: 55 °Sh
Connection: G1/2-F

Design Data



Attribute	Value
d2	185 mm
d3	134 mm
Dmax(S)	213 mm
Ds	206 mm
G1	G1/2"-F
G2	G1/4"-F
H	22 mm
L2	52.8 mm
LG1	14 mm
LG2	14 mm
Z	3.6 mm
D mk	58.3 mm
G4	M6-F

Contact to Schmalz

J. Schmalz GmbH | Johannes-Schmalz-Straße, 72293 Glatten, Deutschland | +49 7443 2403-102 | customercenter@schmalz.de

Attribute	Value
LG4	10.5 mm

Technical Data

Attribute	Value
Suction force	1880 N
Suction force d2	1610 N
Volume	144.065 cm ³
Curve radius (min) (convex)	3500 mm
Internal hose diameter (recom.)	12 mm
Size	200
Number of folds	0
Suction cup material	EPDM
Material hardness	55 °Sh
Weight	1040 g
Product family	SGF

Note:

- Suction force: The specified suction forces are theoretical values at a vacuum of -0.6 bar and with a smooth, dry workpiece surface - they do not include a safety factor
- Pull-off force: The pull-off force of the versions made of natural rubber is reduced by about 40%
- Hose diameter: The recommended hose diameter refers to a hose length of approx. 2 m

Spare Parts

Contact to Schmalz

**VRS-S G1/4-AG**

Part no. 10.08.06.00048
Sealing screw without collar
Thread 1: G1/4-M
Material: Brass
Surface: nickel plated

**DR-SGF 200 EPDM-55**

Part no. 10.01.01.12474
Rubber Seal for SGF suction cup
Size: 200
Suction cup material: EPDM
Material hardness: 55 °Sh

Accessories**TV G1/4-AG 13**

Part no. 10.05.10.00061
Touch valve for deactivation of unused suction cups or vacuum blocks
Thread G1: G1/4-M
Spring stroke Z: 13 mm



SIEB 27x1 MS-A2 100

Part no. 10.07.01.00110

Screen

External diameter D: 27 mm

Length L: 1 mm

Material: Brass / Stainless steel

Filter pore size: 100 µm



SIEB 19.5x1 MS 100

Part no. 10.07.01.00215

Screen

External diameter D: 19.5 mm

Length L: 1 mm

Material: Brass

Filter pore size: 100 µm



PC 200

Part no. 10.01.01.13089

Cover for suction cup

Size: 200

**SU 210**

Part no. 10.01.01.12439

Cover for suction cup

Size: 210

Clamping range: 210.0 ... 220.0 mm

Temperature resistance: 80 °C