

# Suction plate (round) SGF-HS 150 EPDM-55 G1/2-IG

<https://www.schmalz.com/10.01.01.13492>



Part no.: 10.01.01.13492

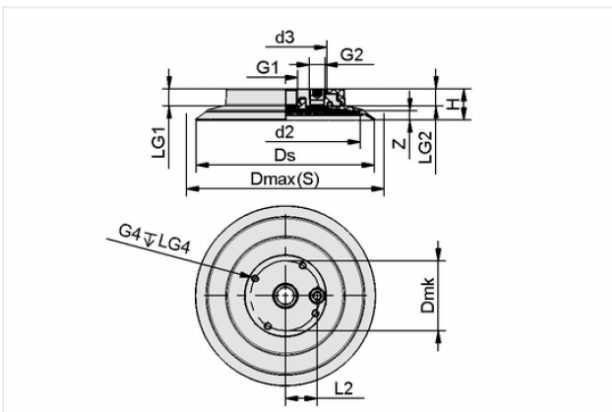
Homepage > Vacuum Technology for Automation > Vacuum Components > Vacuum Suction Cups > Suction Cups for Handling Glass > Suction Plates SGF > SGF-HS 150 EPDM-55 G1/2-IG

## Flat suction cup (round) for highly dynamic handling of glass



Additional feature: High stroke  
 Size: 150  
 Suction cup material: EPDM  
 Material hardness: 55 °Sh  
 Connection: G1/2-F

### Design Data



Attribute	Value
d2	126 mm
d3	70 mm
Dmax(S)	165 mm
Ds	148.5 mm
G1	G1/2"-F
G2	G1/4"-F
H	25.9 mm
L2	26.5 mm
LG1	14 mm
LG2	14 mm
Z	7.5 mm
D mk	58.3 mm
G4	M6-F

### Contact to Schmalz

J. Schmalz GmbH | Johannes-Schmalz-Straße, 72293 Glatten, Deutschland | +49 7443 2403-102 | [customercenter@schmalz.de](mailto:customercenter@schmalz.de)

Attribute	Value
LG4	10.5 mm

---

## Technical Data

Attribute	Value
Suction force	1060 N
Suction force d2	730 N
Volume	119 cm <sup>3</sup>
Curve radius (min) (convex)	2000 mm
Internal hose diameter (recom.)	9 mm
Size	150
Number of folds	0
Suction cup material	EPDM
Material hardness	55 °Sh
Weight	320 g
Product family	SGF

### Note:

- Suction force: The specified suction forces are theoretical values at a vacuum of -0.6 bar and with a smooth, dry workpiece surface - they do not include a safety factor
- Pull-off force: The pull-off force of the versions made of natural rubber is reduced by about 40%
- Hose diameter: The recommended hose diameter refers to a hose length of approx. 2 m

---

## Spare Parts

### Contact to Schmalz

**VRS-S G1/4-AG**

Part no. 10.08.06.00048

Sealing screw without collar

Thread 1: G1/4-M

Material: Brass

Surface: nickel plated

**Accessories****TV G1/4-AG 13**

Part no. 10.05.10.00061

Touch valve for deactivation of unused suction cups or vacuum blocks

Thread G1: G1/4-M

Spring stroke Z: 13 mm

**SIEB 27x1 MS-A2 100**

Part no. 10.07.01.00110

Screen

External diameter D: 27 mm

Length L: 1 mm

Material: Brass / Stainless steel

Filter pore size: 100 µm



**SIEB 19.5x1 MS 100**

Part no. 10.07.01.00215

Screen

External diameter D: 19.5 mm

Length L: 1 mm

Material: Brass

Filter pore size: 100 µm



**PC 150**

Part no. 10.01.01.13087

Cover for suction cup

Size: 150



**SU 160**

Part no. 10.01.01.12438

Cover for suction cup

Size: 160

Clamping range: 150.0 ... 180.0 mm

Temperature resistance: 80 °C